



GAS FIRES



A Warm Welcome

Nothing creates an inviting atmosphere quite like a Gazco fire. The centrepiece of any home, a Gazco fire adds warmth and character to a room or living space - even if you don't have a chimney!

Whether you want to achieve an up-to-the-minute, contemporary look or have your heart set on a more traditionally designed fire, this brochure will help you make the perfect choice, whatever your style or budget.

*Riva2 800 with Vermiculite lining and
Victorian Corbel Mantel in Limestone*

GAZCO
Fire Your Imagination

Studio Fires

Studio08



Studio Styling Options.....	14
Studio Edge.....	16
Studio Profil.....	18
Studio Bauhaus.....	20
Studio Expression.....	22
Studio Steel 2.....	24
Studio Glass.....	26
Studio Verve.....	28
Studio 22.....	30
Studio Andes, Inca & Kepler.....	34
Studio Pienza, Firenze & Sienna.....	34
Studio Slimline.....	38



Studio Duplex.....42



Studio Coloured Frame Options.....	46
Gas Riva Vision Stoves.....	48

Riva2 Fires

Riva250



Riva2 500.....	52
Riva2 500 Edge.....	54
Riva2 500 Ellingham.....	56
Riva2 500 Verve XS.....	58
Riva2 500 Icon.....	60

Riva2 530 & 67062



Riva2 530 & 670 Designio2 Glass.....	64
Riva2 530 & 670 Designio2 Steel.....	66
Riva2 530 & 670 Evoke Glass.....	68
Riva2 530 & 670 Evoke Steel.....	70
Riva2 530 & 670 Verve.....	72
Riva2 670 Verve XS.....	74

Riva2 80076



Riva2 800 Edge.....	78
Riva2 800 Icon.....	80
Riva2 800 Sorrento.....	82
Riva2 800 Stone Mantels.....	84

Riva2 105088



Riva2 1050 Edge.....	90
Riva2 1050 Icon.....	92
Riva2 1050 Sorrento.....	94

Riva Fires

Riva 53 & 6796



Riva 67 Esprit.....	98
Riva 53 & 67 Avanti.....	100
Riva 53 & 67 Spectrum.....	102
Riva 53 & 67 Designio.....	104
Riva 67 Vetro.....	106
Riva 53 & 67 Profil 2.....	108
Gas F67 Riva Stoves.....	110

Linea Fires

Linea112



Linea Steel.....	112
Linea Designio.....	114
Linea Vetro.....	116

Gazco Inset Fires.....	118
Gazco Electric Fires.....	120
Technical Information.....	122
Fireplace Tile Surrounds.....	134

Relax - it's a Gazco Fire...

When you choose Gazco, quality and innovative technology are assured. From traditional models to contemporary designs, Gazco is committed to creating the ultimate flame-effect gas and electric fires.

Our research and development laboratories are amongst the most advanced in the world, ensuring that the very latest innovations are incorporated into our appliances.

Gazco is an ISO9001 accredited company. Our rigorous quality control system ensures that all our appliances comply with British safety standards as well as stringent European regulations. All fires in this brochure are CE marked. This means they have been independently tested to exacting European standards for safety as well as both heating efficiency and emissions.

Warranty



Your Gazco Expert Retailer will provide you with a Five Year Extended Warranty for your new gas fire, provided your fire is registered with Gazco. Please note, these warranties exclude certain consumable parts. Fires purchased outside of Gazco's Expert Retailer Network will carry a standard 1 Year Warranty. Full warranty terms and conditions are available to view at www.gazco.com.





Expert Retailer Network

We take great care to ensure that our fires are designed, tested and manufactured to the highest possible quality and safety standards. We are just as concerned to make certain that they are sold and installed correctly so that you enjoy years of pleasure from your purchase.

Accordingly, you will find our products are only available from experienced, independent retailers who will enable you to see a selection of models locally in their showrooms, often fully operational: discuss your individual requirements both technical (such as sizing the heat output to your room and advising on your flue type) and design; and ensure that you select the most appropriate product for your home. These retailers will also be able to advise on, or assist with, the installation process as well as providing any after-sales support and servicing your appliance may require in the future.

Whilst we encourage our retailers to promote fireplace products and their outlets via the internet, we do not believe suitable levels of customer care and satisfaction can be obtained from purchasing online and we would strongly recommend that you consider this when undertaking your research and making a purchasing decision. Furthermore, please be aware that we do not offer technical support (beyond our statutory responsibilities) to products bought via nationwide online sales, where this support would normally be offered by one of our qualified, independent retailers.

Furthermore, Gazco fires purchased from within our Expert Retailer Network will have the additional benefit of a greatly extended warranty period, subject to terms and conditions. Full details can be found at www.gazco.com.

Your Home...

and flue requirements



The type of chimney or flue you have usually dictates your choice of fire. To help you understand which fires are suitable for your home, please use the following information and pictures to identify your chimney. Don't worry if you don't have a chimney, you can still find the perfect fire for your home!

The fires in this brochure are designed for either a conventional flue or a balanced flue system and this is demonstrated on the product pages by the use of either a **CF** or **BF** symbol. Please use these symbols to help you identify the fires that are suitable for installation in your home.

Your Gazco retailer will be pleased to provide assistance with your fire selection.

No Air Vent required (UK) 

All fires shown with this symbol have the advantage of not normally requiring an air vent*. Please discuss this in full with your local retailer.

*Requirements in the Republic of Ireland are different.

Conventional Flue CF

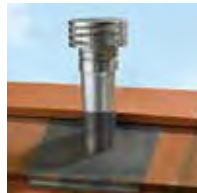
Conventional flue systems are for Gazco's Open Fronted and some Glass Fronted gas fires. They are easily recognisable as either a conventional brick or stone chimney, or as a pre-fabricated chimney system. Should your home have neither at present, it is usually possible to have a pre-fabricated system installed in your home if required.



Brick/Stone Chimney

(Class 1)

The chimney stack rises well above the roofline and is topped by a traditional chimney pot or gas terminal. This type of chimney relies on the natural circulation of heated air to expel the products of combustion up your chimney.



Pre-fabricated Flues

(Class 1 & 2)

You will see a metal flue cowl on your roof. Some are all metal whilst others may terminate through a short rectangular pot (but without a chimney stack). These flues create the same circulation of heated air as a brick or stone chimney.

Balanced Flue BF

Balanced flues work in conjunction with Gazco's Glass Fronted gas fires only. The appliance is completely sealed from the room into which it is installed (so there are no draughts and heating efficiency is increased) and a twin-wall pipe vents directly to an outside wall.



Balanced Flue

(No chimney required)

Air for combustion is drawn in through the outer pipe whilst the inner pipe removes the combustion gases to the exterior of the property. Depending on the fire selected, the twin-walled pipe may exit horizontally through an external wall or vertically through the roof. Gazco offers a comprehensive range of balanced flue system components. Please refer to our dedicated Concentric Flue System brochure which can be requested from your retailer or viewed online at www.gazco.com.



Electric Fires



Gazco also offers an extensive array of electric fires and stoves in a separate dedicated brochure, all of which do not require a chimney of any kind.

For more information, the Gazco Electric Fires and Stoves brochure is available from your Gazco retailer or you can view the complete range online at www.gazco.com.



Studio Fires

Breathtaking! There really is no better way to describe our stunning Studio fires. With a wealth of design options complemented by a choice of sizes, linings and fuel bed effects, these beautifully contemporary fires will add instant style and presence to any modern interior.



Studio 3 Verve Glass Fronted with Log Effect fuel bed and Vermiculite lining

Choosing The Right Studio Fire For Your Home...

The Studio is a versatile and diverse range of fires, with each model having its own special features ranging from visual appeal to heating performance and styling options to installation possibilities. Depending on the model, there is a wealth of options for both conventional and balanced flue installations. Within the conventional flue selection there are both Open Fronted and Glass Fronted fires, whilst all balanced flue models are available as Glass Fronted only.

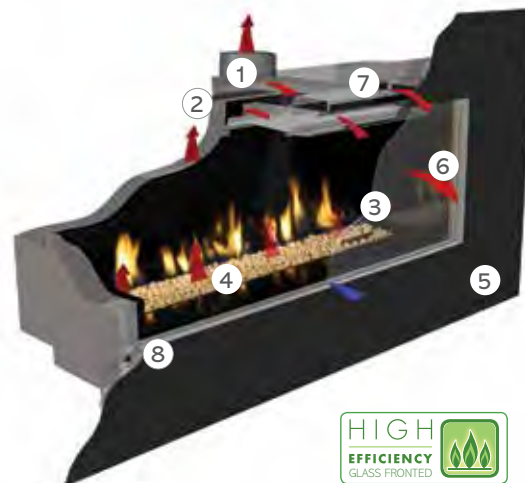
Our near invisible Glass Fronted fires have greatly increased heating efficiency whilst maintaining all the visual appeal of the Open Fronted Studios. The balanced flue options make installation possible for most homes, even those without a chimney!

	Studio 1	Studio 2	Studio 3	Studio 22	Studio Slimline	Studio Duplex
Conventional Flue Open Fronted	✓	✓	✓	x	x	x
Conventional Flue Glass Fronted	✓	✓	x	x	x	x
Balanced Flue Glass Fronted	✓	✓	✓	✓	✓	✓

Conventional Flue Studio Key Features

1. Conventional Flue connection
2. Liner-less installation with no requirement for additional adapters
3. Open Fronted or Glass Fronted models
4. Choice of contemporary or realistic fuel effects
5. Choice of frame styles
6. Convected and radiant heat
7. Convected heat system outlet
8. Simple drop down door for easy maintenance access
9. Remote control included*
(Sequential: Open – Thermostatic: Glass)
10. External battery holders for ease of battery change*
11. Touch Control Panel*

* Not illustrated



Balanced Flue Studio Key Features

1. Balanced Flue connection
2. Variety of flueing options for location flexibility
3. Glass Fronted models
4. Choice of contemporary or realistic fuel effects
5. Choice of linings
6. Choice of frame styles
7. Convected and radiant heat
8. Convected heat system outlet
9. Simple drop down door for easy maintenance access
10. External battery holders for ease of battery change*
11. Touch Control Panel*
12. Thermostatic remote control included*

* Not illustrated



Remote Controls

All Open Fronted fires in the Studio range are supplied with a state-of-the-art Sequential remote control as standard, allowing you to operate everything from ignition to flame height and heat output from the comfort of your sofa. The Glass Fronted Studios come complete with the new look Thermostatic remote that also includes the additional benefits of a programmable timer and thermostatic controls, ensuring that whenever you return home, your house will always be warm and welcoming. Should you mislay your handset, all Studio fires also come complete with a flat Touch Control panel that can be discreetly wall mounted up to 2.5 metres away from the fire allowing you to ignite, extinguish and control the flame height with ease.



Sequential remote & flat Touch Control panel for Open Fronted Studio fires



Thermostatic remote & flat Touch Control panel for Glass Fronted Studio fires

Studio Fuel Effects

There are few sights more comforting than the movement of a warming flame. Whether you prefer the ambiance of a real log fire or the more minimalist approach of a stone or glass fuel effect, the Studio range has a choice of fires each showcasing the flames to their maximum potential.



*Studio 2 Glass Open Fronted
with Black Glass Bead fuel bed*

Your Studio, Your Way...

Once you have identified whether you require a conventional or balanced flue fire, you can then decide upon which fire type is suitable for your heating and interior design needs. The wealth of options available are all based around three main types of fire: Open Fronted with white stone or glass bead fuel bed, Glass Fronted with white stone or glass bead fuel bed and Glass Fronted with

realistic log-effect fuel bed. Each of these stunning Studio fires is available with a whole host of decorative styles (see page 14-15) and is testament to Gazco's continued investment into inspired product design.

Open Studio - White Stone and Glass Bead Fuel Beds

All Open Studio fires incorporate Gazco's ultra contemporary flame-effect: a single ribbon of modulating flames dancing over a bed of small white stones, beautifully reflected by the sparkling stainless front plate. There is also the additional option of a polished black granite interior to further increase the reflective qualities of the fire. You can customise your white stone fire with one of three optional glass bead sets which will enhance the ribbon flames when the fire is on, yet look equally fantastic when the fire is off. Open Studios are one of the few gas fires on the market that allow the possibility of installing a Plasma, LCD or LED television above them for a great visual centrepiece*. Please see page 122 for full details.

Glass Fronted Studio - White Stone and Glass Bead Fuel Beds



Glass Fronted Studios benefit from greatly increased heat output, boasting up to 81% efficiency. The standard features of the Studio Open are also incorporated into this fire choice, including the white stone and glass bead options as well as the distinctive ribbon flames, all displayed to the full by the contrasting backdrop of a reflective black enamelled lining. According to fire size, there are options for both conventional and balanced flue installations, making the Studio suitable for a wide range of homes, even those without a chimney.

Glass Fronted Studio – Log-effect Fuel Bed



This high efficiency fire choice offers the ideal solution for those looking to make a modern style statement, yet still wanting to enjoy the heart-warming ambiance traditionally associated with a real log fire. This enticing atmosphere is achieved by the long and lazy flames snaking through highly realistic hand-painted logs and beautifully enhanced by an innovative glowing ember effect for the ultimate 'real fire' look. According to size, this version is available in both balanced flue and conventional flue variants and can also benefit from a choice of lining options, further details of which can be found on page 14.

*Open Fronted only. Please note that due to the higher efficiency of the Glass Fronted Studio's, Gazco does not recommend installing televisions above these fires.

** Please note that the Red Glass beads will darken when burning and then return to their original colour when cool.



Open Fronted Studio with White Stones



Red Glass Beads**



Black Glass Beads



Glass Fronted Studio with White Stones



Clear Glass Beads



Glass Fronted Studio with Log-effect

Studio Sizes

The outstanding Studio fires range is available in up to four different sizes, offering greater installation possibilities for interiors of all proportions. With three landscape sizes and a portrait option alongside the latest Slimline and double-sided Duplex options, the beautifully designed Studio fires are the perfect blend of versatility and style.



Studio 1

Available as an Open Fronted model with white stone or glass bead fuel beds, or as Glass Fronted versions with the additional fuel-effect choice of a realistic log bed. The Open Fronted produces a heat output of up to 1.72kW whilst the Glass Fronted offers up to 5.20kW, greatly increased efficiency and balanced flue versions.

Studio 2

Available as an Open Fronted version with either a white stone or a glass bead fuel bed; or as a Glass Fronted version, which has the additional choices of a realistic log-effect fire and balanced flue options. The Studio 2 fires, being wider, produce greater heat outputs than those generated by the Studio 1; up to 2.30kW is offered by the Open Fronted models whilst the Glass Fronted fires produce up to 6.97kW.

Studio 3

The largest in the range, the Studio 3 is available in both Open Fronted or Glass Fronted versions. The Open Fronted produces a heat output of up to 3.40kW and is available with either a white stone fuel bed or a glass bead fuel bed; whilst the Studio 3 Glass Fronted has the additional option of the realistic log-effect fire choice. Due to its impressive 7.30kW of heat output, the Glass Fronted is for balanced flue installations only, making it perfect for homes that do not have a chimney!



Studio 1 with White Stone fuel bed



Studio 2 with Log effect fuel bed



Studio 3 with White Stone fuel bed

Studio 1 Slimline



The high efficiency Slimline has been specifically designed for cavity wall installations. Available with a choice of white stone, glass bead or realistic log fuel beds, this Glass Fronted fire offers a heat output of up to 4.25kW and a balanced flue installation. For more information, please see pages 38-41.

Studio 2 Duplex



A double-sided high efficiency fire which can be enjoyed from two rooms at once! This Glass Fronted fire is available with a realistic log fuel bed and produces up to 7.9kW of heat output. Please see pages 42-45 for further details on this eye-catching balanced flue fire.

Studio 22



Available with a highly realistic log-effect fuel bed and balanced flue installation, the Glass Fronted Studio 22 produces up to 5.85kW of heat output, offering great efficiency as well as style. There are several frames available to enhance and add instant presence to this attractive portrait fire.

Please see pages 30 - 33 for further details on the Studio 22.

Heat output and efficiency figures are based upon the maximum heat output achieved in the options available for each model. For further technical information please refer to the technical section at the rear of this brochure.

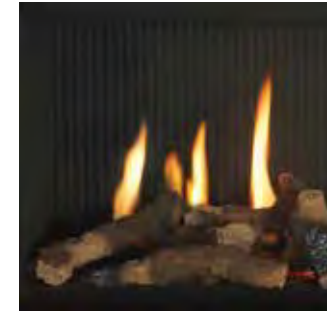
Studio Styling Options

Studio Lining Options

Depending on model, several Gazco Studio fires can be customised with a choice of lining options, each offering a dramatically different aesthetic for your fire. The Open Fronted Studios have a black steel interior, that can be upgraded to a polished black granite lining to boost the reflective qualities. Glass Fronted Studios with a log-effect fire can be specified with either a vermiculite or black reeded lining. Glass Fronted Studios with a white stone or glass bead fuel bed have an enamelled lining only. The exception to these are the Studio 1 Slimline fires, where an additional option of a brick lining is available alongside the vermiculite or black reeded options (see pages 38 - 41 for full details on Slimline Studio options).



Vermiculite Lining
(Available with Log-effect Studios)



Black Reeded Lining
(Available with Log-effect Studios)



Polished Black Granite
(Open Studio Upgrade)

Studio Frame Options

These pages outline the many different frame options available for the Studio fires, all of which are shown in detail throughout the brochure. These stunning frame options have all been designed specifically to complement the contemporary visuals of the Studio range and offer you a spectrum of different styling possibilities.

Crafted from high quality materials such as sparkling glass, stylish steel, solid wood and natural stone, the extensive Studio frame selection is the perfect way to personalise your premium Studio fire and will ensure you achieve the designer look in your home - whatever your decorative tastes!

Studio Coloured Frame Options



For those who want to add a splash of colour to their living space, Studio Profil, Bauhaus, Expression Steel, Verve and Steel frames are also available in four eye-catching colours; Metallic Red, Metallic Blue, Metallic Bronze and Ivory. For full details please see pages 46 - 47.

	Pages	Studio 1		Studio 2		Studio 3		Studio 22	Studio Slimline	Studio Duplex
		(Open Fronted)	(Glass Fronted)	(Open Fronted)	(Glass Fronted)	(Open Fronted)	(Glass Fronted)	(Glass Fronted)	(Glass Fronted)	(Glass Fronted)
Edge	16 - 17	✓	✓	✓	✓	✓	✓	✓	✓	✓
Profil	18 - 19	✓	✓	✓	✓	✓	✓	✓	✓	✓
Bauhaus	20 - 21	✓	✓	✓	✓	✓	✓	✓	✓	✓
Expression	22 - 23	✗	✓	✗	✓	✗	✓	✓	✓	✓
Steel 2	24 - 25	✓	✓	✓	✓	✓	✓	✓	✓	✓
Glass	26 - 27	✓	✓	✓	✓	✓	✓	✗	✓	✓
Verve	28 - 29	✓	✓	✓	✓	✓	✓	✓	✓	✓
Sorrento	32 - 33	✗	✗	✗	✗	✗	✗	✓	✗	✗
Andes, Inca & Kepler	34 - 35	✓	✗	✓	✗	✗	✗	✗	✗	✗
Pienza, Firenze & Sienna	36 - 37	✓	✗	✓	✗	✗	✗	✗	✗	✗



Studio Edge, Glass Fronted with White Stone fuel bed



Studio Edge, Glass Fronted with Log-effect fuel bed



Studio Steel 2 - Graphite or Iridium



Studio Profil - Anthracite or Polished Stainless Steel



Studio Bauhaus - Anthracite or Polished Stainless Steel



Studio Verve - Graphite (Horizontal Curve) Aerial View Below



Studio Sienna - Travertine



Studio Firenze - Granite



Studio Pienza - Limestone



Studio Expression Steel - Graphite



Studio Inca - Walnut quarters



Studio Andes - Walnut centre & stained Oak edges



Studio Kepler - Solid Walnut



Studio Glass



Studio Sorrento - Natural Limestone or Graphite Granite

Studio Edge



This stunning 'hole in the wall' fire creates a visual delight in any living space. Its central feature is a modulating single ribbon of living flame that dances above a bed of white stones or glass beads or through a realistic log-effect display. Additionally, any white stone models can be retro-fitted with any of the red, clear or black glass bead fuel effect options to create a new stylish look.

The Studio Edge is for those who require minimalist modern perfection. The fire has an eye-catching no-frame* design, with the option on the Open Fronted Studio fires of a polished black granite interior lining. The mirror-like qualities of this lining reflect the continuous motion of the flames. Glass Fronted versions that incorporate the white stone and glass bead fuel beds have enamelled linings as standard.

Linings

- Black Steel (Open Fronted Standard)
- Polished Granite (Open Fronted Upgrade)
- Black Enamel (Glass Fronted - White Stones or Glass Beads)
- Black Reeded (Glass Fronted - Logs)
- Vermiculite (Glass Fronted - Logs)

Fuel Beds

- White Stones
- Glass Beads - Red, Clear or Black †
- Logs (Glass Fronted only)

Command Controls

- Left: Sequential remote - Open Fronted
- Right: Thermostatic remote - Glass Fronted



Fire Choices (see pages 8 - 13)

	E ⁻	kW [†]	Chimney Options		Dimensions ^Δ w x h (mm)
			CF	BF	
Studio 1 – Open	25%	1.72kW	✓	✗	660 x 334
Studio 1 – Glass Fronted	70%	4.85kW	✓	✗	752 x 428
Studio 1 – Glass Fronted Balanced Flue	81%	5.20kW	✗	✓	745 x 416
Studio 2 – Open	25%	2.30kW	✓	✗	860 x 334
Studio 2 – Glass Fronted	78%	6.85kW	✓	✗	952 x 428
Studio 2 – Glass Fronted Balanced Flue	81%	6.97kW	✗	✓	945 x 416
Studio 3 – Open	25%	3.40kW	✓	✗	1250 x 334
Studio 3 – Glass Fronted Balanced Flue	81%	7.30kW	✗	✓	1335 x 416

Other models available: Studio 22 (pages 30 - 33), Studio Slimline (pages 38 - 41) & Studio Duplex (pages 42 - 45)

* No-frame refers to added exterior frames. Glass Fronted Studios have an additional 27mm inner frame that secures the glass window in place.

** For detailed information on installing televisions above Open Studio fires, please see page 122.

For Glass Fronted Studio Edge installation requirements, please see page 125.

† Efficiency figures given are based upon the maximum heat output achieved in the options available for this model. For complete technical information, including flue gather requirements, please see pages 122-127.

Δ Overall visible dimensions upon installation. For more detailed information, including firebox dimensions, please see pages 122-127.

‡ Glass Beads are available as an upgrade to White Stone models



Studio 3 Edge, Open Fronted with White Stone fuel bed and Granite lining.



Studio Profil



Innovative glowing ember Log-effect fuel bed



Studio 1 Profil, Open Fronted** in Stainless Steel finish with Clear Glass Bead fuel bed



Studio 2 Profil, Glass Fronted in Anthracite finish with Log-effect fuel bed and Vermiculite lining

The Studio Profil features timeless styling that fits in perfectly with virtually all interiors. Furthermore, the Studio Profil offers you six stunning frame colour choices from sophisticated Anthracite to expressive Metallic Red and is available on all sizes and fuel types of Studio fires. Like all Studio Glass Fronted log-effect fires the Profil offers a choice of either the black reeded or vermiculite linings, plus the chance to interchange your white stone fuel effects to any one of three coloured glass bead alternatives.

Finishes

Anthracite
Polished Stainless Steel
Metallic Red
Metallic Blue
Metallic Bronze
Ivory

Linings

Black Steel (Open Fronted Standard)
Polished Granite (Open Fronted Upgrade)
Black Enamel (Glass Fronted - White Stones or Glass Beads)
Black Reeded (Glass Fronted - Logs)
Vermiculite (Glass Fronted - Logs)

Fuel Beds

White Stones
Glass Beads - Red, Clear or Black †
Logs (Glass Fronted only)

Command Controls

Left: Sequential remote - Open Fronted
Right: Thermostatic remote - Glass Fronted



Fire Choices (see pages 8 - 13)

		E ⁺	kW †	Chimney Options		Dimensions ^Δ w x h (mm)
				CF	BF	
Studio 1 – Open	<input checked="" type="checkbox"/>	25%	1.72kW	✓	✗	750 x 426
Studio 1 – Glass Fronted	<input checked="" type="checkbox"/>	70%	4.85kW	✓	✗	846 x 520
Studio 1 – Glass Fronted Balanced Flue	<input checked="" type="checkbox"/>	81%	5.20kW	✗	✓	836 x 510
Studio 2 – Open		25%	2.30kW	✓	✗	950 x 426
Studio 2 – Glass Fronted		78%	6.85kW	✓	✗	1046 x 520
Studio 2 – Glass Fronted Balanced Flue	<input checked="" type="checkbox"/>	81%	6.97kW	✗	✓	1036 x 510
Studio 3 – Open		25%	3.40kW	✓	✗	1340 x 426
Studio 3 – Glass Fronted Balanced Flue	<input checked="" type="checkbox"/>	81%	7.30kW	✗	✓	1426 x 510

Other models available: Studio 22 (pages 30 - 33), Studio Slimline (pages 38 - 41) & Studio Duplex (pages 42 - 45)

** For detailed information on installing televisions above Open Studio fires, please see page 122.

† Efficiency figures given are based upon the maximum heat output achieved in the options available for this model. For complete technical information, including flue gather requirements, please see pages 122-127.

Δ Overall visible dimensions upon installation. For more detailed information, including firebox dimensions, please see pages 122-127.

‡ Glass Beads are available as an upgrade to White Stone models

Colour options shown on pages 46-47

Studio Bauhaus



Studio 1 Bauhaus, Open Fronted in Anthracite finish with White Stone fuel bed



Studio 2 Bauhaus Conventional Flue, Glass Fronted in Polished Stainless Steel with Log-effect fuel bed and Black Reeded lining

The Studio Bauhaus has the same fire bed options and innovative features as the other Studio fires, whilst featuring a classic three dimensional tapered frame. This frame comes in two finishes Anthracite and Polished Stainless Steel, with four additional colour choices and is offered on all sizes of Studio fires, enabling you to perfectly match the Bauhaus to the size and style of your room. Your interior design possibilities can be enhanced further by opting for either the black reeded or vermiculite linings on log-effect models, or the optional red, black or clear glass beads to replace the white stone fuel effect.

Finishes

Anthracite
Polished Stainless Steel
Metallic Red
Metallic Blue
Metallic Bronze
Ivory

Linings

Black Steel (Open Fronted Standard)
Polished Granite (Open Fronted Upgrade)
Black Enamel (Glass Fronted - White Stones or Glass Beads)
Black Reeded (Glass Fronted - Logs)
Vermiculite (Glass Fronted - Logs)

Fuel Beds

White Stones
Glass Beads - Red, Clear or Black[‡]
Logs (Glass Fronted only)

Command Controls

Left: Sequential remote
- Open Fronted
Right: Thermostatic remote
- Glass Fronted



Colour options shown on pages 46-47

Fire Choices (see pages 8 - 13)

Chimney Options Dimensions^Δ

					w x h (mm)	
Studio 1 – Open		25%	1.72kW	✓	✗	764 x 439
Studio 1 – Glass Fronted		70%	4.85kW	✓	✗	860 x 534
Studio 1 – Glass Fronted Balanced Flue		81%	5.20kW	✗	✓	850 x 524
Studio 2 – Open		25%	2.30kW	✓	✗	964 x 439
Studio 2 – Glass Fronted		78%	6.85kW	✓	✗	1060 x 534
Studio 2 – Glass Fronted Balanced Flue		81%	6.97kW	✗	✓	1050 x 524
Studio 3 – Open		25%	3.40kW	✓	✗	1354 x 439
Studio 3 – Glass Fronted Balanced Flue		81%	7.30kW	✗	✓	1440 x 524

Other models available: Studio 22 (pages 30 - 33), Studio Slimline (pages 38 - 41) & Studio Duplex (pages 42 - 45)

[†] Efficiency figures given are based upon the maximum heat output achieved in the options available for this model. For complete technical information, including flue gather requirements, please see pages 122-127.

^Δ Overall visible dimensions upon installation. For more detailed information, including firebox dimensions, please see pages 122-127.

[‡] Glass Beads are available as an upgrade to White Stone models



Studio 3 Bauhaus, Glass Fronted in Stainless Steel finish with Log-effect fuel bed and Vermiculite lining

Studio Expression Steel



Studio 2 Expression Steel, Glass Fronted in Graphite with Log-effect fuel bed and Black Reeded lining



Studio 1 Expression Steel, Glass Fronted in Graphite with White Stone fuel bed

The Expression Steel is the latest frame to grace the Studio Glass-fronted gas fires range. Simple, stylish and sophisticated, the Expression offers a complete focal point around which to express your very own decorative style.

The deep profile of the Expression Steel frame has a simple, smooth design in high grade steel, perfectly proportioned to complement and frame the eye-catching realistic log or contemporary glass and stone flame pictures within.

Available in bold Graphite with additional choices of the four vibrant finishes, the Expression Steel offers timeless simplicity or a striking centrepiece to fit with a wealth of interior decors.

Finishes

Graphite
Metallic Red
Metallic Blue
Metallic Bronze
Ivory

Linings

Black Enamel (Glass Fronted - White Stones or Glass Beads)
Black Reeded (Glass Fronted - Logs)
Vermiculite (Glass Fronted - Logs)

Fuel Beds

White Stones
Glass Beads - Red, Clear or Black[†]
Logs

Command Controls

Thermostatic remote
- Glass Fronted



Colour options shown on pages 46-47

Fire Choices (see pages 8 - 13)

	E ⁻	kW [†]	Chimney Options		Dimensions ^Δ w x h (mm)	
			CF	BF		
Studio 1 – Glass Fronted	⊗	70%	4.85kW	✓	✗	950 x 624
Studio 1 – Glass Fronted Balanced Flue	⊗	81%	5.20kW	✗	✓	940 x 614
Studio 2 – Glass Fronted		78%	6.85kW	✓	✗	1150 x 624
Studio 2 – Glass Fronted Balanced Flue	⊗	81%	6.97kW	✗	✓	1140 x 614
Studio 3 – Glass Fronted Balanced Flue	⊗	81%	7.30kW	✗	✓	1530 x 614

Other models available: Studio 22 (pages 30 - 33), Studio Slimline (pages 38 - 41) & Studio Duplex (pages 42 - 45)

[†] Efficiency figures given are based upon the maximum heat output achieved in the options available for this model. For complete technical information, including flue gather requirements, please see pages 122-127.

^Δ Overall visible dimensions upon installation. For more detailed information, including firebox dimensions, please see pages 122-127.

[‡] Glass Beads are available as an upgrade to White Stone models



Studio 3 Expression Steel, Glass Fronted in Graphite with Log-effect fuel bed and Vermiculite lining



Studio Steel 2



Studio 2 Steel 2, Glass Fronted in Graphite with Log-effect fuel bed and Black Reeded lining



Studio 1 Steel 2, Open Fronted in Iridium with White Stone fuel bed

The Studio Steel 2 is for those with larger spaces who wish to create a greater presence with their choice of fireplace. The Studio Steel 2's wide frame instantly creates a distinctive and individual focal point that can be further heightened by your choice of frame colour. Furthermore, why not create a whole new look by taking advantage of the vermiculite or black reeded linings for log-effect Studios or upgrading a white stone fuel effect to one of three coloured glass beads. Operation is simplicity itself, as Gazco's remote control takes care of everything from ignition to flame height adjustment.

Finishes

Graphite
Iridium
Metallic Red
Metallic Blue
Metallic Bronze
Ivory

Linings

Black Steel (Open Fronted Standard)
Polished Granite (Open Fronted Upgrade)
Black Enamel (Glass Fronted - White Stones or Glass Beads)
Black Reeded (Glass Fronted - Logs)
Vermiculite (Glass Fronted - Logs)

Fuel Beds

White Stones
Glass Beads - Red, Clear or Black[‡]
Logs (Glass Fronted only)

Command Controls

Left: Sequential remote
- Open Fronted
Right: Thermostatic remote
- Glass Fronted



Colour options shown on pages 46-47

Fire Choices (see pages 8 - 13)

	E ⁻	kW [†]	Chimney Options		Dimensions ^Δ w x h (mm)	
			CF	BF		
Studio 1 – Open		25%	1.72kW	✓	✗	1118 x 478
Studio 1 – Glass Fronted		70%	4.85kW	✓	✗	1264 x 528
Studio 1 – Glass Fronted Balanced Flue		81%	5.20kW	✗	✓	1264 x 528
Studio 2 – Open		25%	2.30kW	✓	✗	1354 x 508
Studio 2 – Glass Fronted		78%	6.85kW	✓	✗	1500 x 528
Studio 2 – Glass Fronted Balanced Flue		81%	6.97kW	✗	✓	1500 x 528
Studio 3 – Open		25%	3.40kW	✓	✗	1844 x 528
Studio 3 – Glass Fronted Balanced Flue		81%	7.30kW	✗	✓	1990 x 528

Other models available: Studio 22 (pages 30 - 33), Studio Slimline (pages 38 - 41) & Studio Duplex (pages 42 - 45)

[†] Efficiency figures given are based upon the maximum heat output achieved in the options available for this model. For complete technical information, including flue gather requirements, please see pages 122-127.

^Δ Overall visible dimensions upon installation. For more detailed information, including firebox dimensions, please see pages 118-123

[‡] Glass Beads are available as an upgrade to White Stone models



Studio Glass



Open Fronted White Stone fuel bed



Studio 1 Glass, Glass Fronted with Log-effect fuel bed and Vermiculite lining. Shown with Pretoria Anthracite Matt fire surround tiles



Studio 2 Glass, Glass Fronted with White Stone fuel bed

Sleek, chic and shining, the black Glass offers you a striking focal point around which you can create your own distinctive interior.

Available in three sizes of Open and Glass Fronted versions, and with a choice of white stones, glass beads or log-effect fuel beds, there's a Studio Glass to offer instant impact whatever your room size.

A further image of the Studio Glass is shown on page 10.

Finish

Black Glass

Fuel Beds

White Stones
Glass Beads - Red, Clear or Black[†]
Logs (Glass Fronted only)

Linings

Black Steel (Open Fronted Standard)
Polished Granite (Open Fronted Upgrade)
Black Enamel (Glass Fronted - White Stones or Glass Beads)
Black Reeded (Glass Fronted - Logs)
Vermiculite (Glass Fronted - Logs)

Command Controls

Left: Sequential remote - Open Fronted
Right: Thermostatic remote - Glass Fronted



Fire Choices (see pages 8 - 13)

	E ⁻	kW [†]	Chimney Options		Dimensions ^Δ w x h (mm)	
			CF	BF		
Studio 1 – Open	<input checked="" type="checkbox"/>	25%	1.72kW	✓	✗	1264 x 528
Studio 1 – Glass Fronted	<input checked="" type="checkbox"/>	70%	4.85kW	✓	✗	1264 x 528
Studio 1 – Glass Fronted Balanced Flue	<input checked="" type="checkbox"/>	81%	5.20kW	✗	✓	1264 x 528
Studio 2 – Open		25%	2.30kW	✓	✗	1500 x 528
Studio 2 – Glass Fronted		78%	6.85kW	✓	✗	1500 x 528
Studio 2 – Glass Fronted Balanced Flue	<input checked="" type="checkbox"/>	81%	6.97kW	✗	✓	1500 x 528
Studio 3 – Open		25%	3.40kW	✓	✗	1990 x 528
Studio 3 – Glass Fronted Balanced Flue	<input checked="" type="checkbox"/>	81%	7.30kW	✗	✓	1990 x 528

Other models available: Studio Slimline (pages 38 - 41) & Studio Duplex (pages 42 - 45)

[†] Efficiency figures given are based upon the maximum heat output achieved in the options available for this model. For complete technical information, including flue gather requirements, please see pages 122-127.

^Δ Overall visible dimensions upon installation. For more detailed information, including firebox dimensions, please see pages 122-127.

[‡] Glass Beads are available as an upgrade to White Stone models

Studio Verve



Studio 2 Verve, Glass Fronted in Graphite with Log-effect fuel bed and Vermiculite lining



Studio 1 Verve, Glass Fronted in Graphite with Log-effect fuel bed and Black Reeded lining

With an eye-catching 3D curve and five stylish finishes, the Studio Verve instantly creates a designer look in your living room and is the perfect way to accentuate the modern landscape flame picture provided by each of the three fire sizes.

Whether your choice is the stunning ribbon flame effect of the white stone and glass bead fuel beds or the allure of the highly realistic log-effect fire option, the Studio Verve is a gas fire that can be appreciated from all angles. A further image of the Studio Verve can be found on page 8.

Finishes

Graphite
Metallic Red
Metallic Blue
Metallic Bronze
Ivory

Linings

Black Steel (Open Fronted Standard)
Polished Granite (Open Fronted Upgrade)
Black Enamel (Glass Fronted - White Stones or Glass Beads)
Black Reeded (Glass Fronted - Logs)
Vermiculite (Glass Fronted - Logs)

Fuel Beds

White Stones
Glass Beads - Red, Clear or Black[†]
Logs (Glass Fronted only)

Command Controls

Left: Sequential remote
- Open Fronted
Right: Thermostatic remote - Glass Fronted



Colour options shown on pages 46-47

Fire Choices (see pages 8 - 13)

	E [†]	kW [†]	Chimney Options		Dimensions ^Δ w x h (mm)
			CF	BF	
Studio 1 – Open	25%	1.72kW	✓	✗	1264 x 528
Studio 1 – Glass Fronted	70%	4.85kW	✓	✗	1264 x 528
Studio 1 – Glass Fronted Balanced Flue	81%	5.20kW	✗	✓	1264 x 528
Studio 2 – Open	25%	2.30kW	✓	✗	1500 x 528
Studio 2 – Glass Fronted	78%	6.85kW	✓	✗	1500 x 528
Studio 2 – Glass Fronted Balanced Flue	81%	6.97kW	✗	✓	1500 x 528
Studio 3 – Open	25%	3.40kW	✓	✗	1990 x 528
Studio 3 – Glass Fronted Balanced Flue	81%	7.30kW	✗	✓	1990 x 528

Other models available: Studio 22 (pages 30 - 33), Studio Slimline (pages 38 - 41) & Studio Duplex (pages 42 - 45)

[†] Efficiency figures given are based upon the maximum heat output achieved in the options available for this model. For complete technical information, including flue gather requirements, please see pages 122-127.

^Δ Overall visible dimensions upon installation. For more detailed information, including firebox dimensions, please see pages 118-123

[†] Glass Beads are available as an upgrade to White Stone models



Studio 3 Verve in Graphite, Open Fronted with White Stone fuel bed

Studio 22



Studio 22 Profil in Anthracite



Studio 22 Verve in Graphite, shown with Burnt Sienna fire surround tiles



Studio 22 Bauhaus in Polished Stainless Steel shown with Black Galaxy Granite fire surround tiles.

The stunning Glass Fronted Studio 22 offers the option of adding portrait styling to your living space. Specifically designed to add vertical presence, this portrait fire will instantly become a focal point in any interior, whether installed either as a frameless Edge or with one of the many frame options available.

All Studio 22 fires feature our stunning log-effect fuel bed which incorporates a special heat-retaining lining, adding to the fire's performance and energy efficiency. It incorporates Studio features such as the thermostatic remote control, allowing you to operate everything from ignition to heat output at just the push of a button, and a flat touch control panel which can be discreetly located up to 2.5 metres away from the fire.

Finishes

Anthracite (Bauhaus & Profil)
 Polished Stainless Steel (Bauhaus & Profil)
 Graphite (Steel, Verve & Expression Steel)
 Iridium (Steel)
 Natural Limestone (Sorrento)

Graphite Granite (Sorrento)
 Metallic Red (Steel, Bauhaus, Profil, Verve & Expression Steel)
 Metallic Blue (Steel, Bauhaus, Profil, Verve & Expression Steel)
 Metallic Bronze (Steel, Bauhaus, Profil, Verve & Expression Steel)
 Ivory (Steel, Bauhaus, Profil, Verve & Expression Steel)

Fire Choices

Studio 22 – Glass Fronted Balanced Flue

78%

5.85kW

X

✓

Chimney Options

Dimensions Δ w x h (mm)

Edge	423 x 1029
Profil	510 x 1036
Bauhaus	524 x 1050
Steel	675 x 1320
Expression Steel	614 x 1140
Verve	676 x 1320
Sorrento	914 x 1290

Fuel Bed

Logs

Lining

Vermiculite

Command Controls

Thermostatic remote



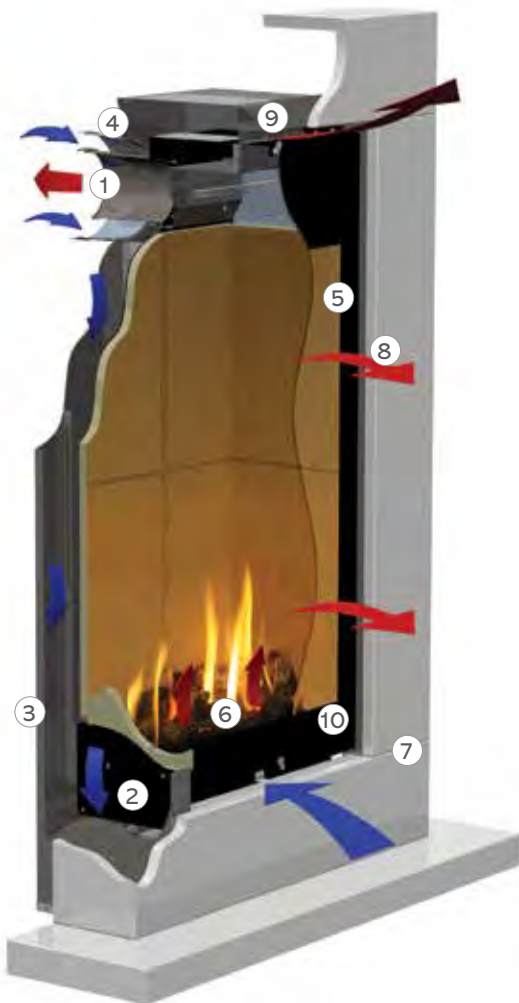
† Efficiency figures given are based upon the maximum heat output achieved in the options available for this model, for complete technical information, please see page 126.

Δ Overall visible dimensions upon installation. For more detailed information, including firebox dimensions, please see page 126.





Studio 22 (continued)



Key Features

1. Balanced Flue connection
2. Shallow firebox depth
3. Flat wall installation (*rear exit only when combined with Sorrento frame*)
4. Top or rear flue options for location flexibility
5. Glass Fronted
6. Realistic log-effect fire
7. Choice of frame styles
8. Convected and radiant heat
9. Convected heat system outlet
10. Easy maintenance access
11. Thermostatic remote control included*
12. External battery holder for ease of battery change*
13. Touch Control Panel*

* Not illustrated

With six model choices available, from the 'hole in the wall' Edge, with its frameless design†, to the visually impressive Sorrento stone surround in Graphite Granite, (shown above right) the Studio 22 offers many style choices to greatly expand your interior possibilities.

Another advantage of the Studio 22 when combined with the Sorrento Stone surround is its ease of installation. The Sorrento surround reduces the depth of the installation to only one course of brickwork, thus reducing installation costs.

† Frameless refers to added exterior frames, Studio 22 fires have an additional 27mm inner frame that secures the glass window in place.



Thermostatic remote & flat Touch Control panel

Studio Andes, Inca & Kepler



Studio 1 Kepler Open Fronted with White Stone fuel bed



Studio 2 Andes, Open Fronted with White Stone fuel bed

The Studio Andes, Inca and Kepler offer a beautiful natural design statement. Available only with the Open Fronted 1 and 2 Studios, these eye-catching solid timber frames cannot fail to impress as they surround a real gas fire in a choice of Walnut and Oak*. Perfectly crafted to fit in with the latest wood designs, these innovative fires perfectly complement many of the current popular interior design concepts.

Wood Choice

Andes - Walnut centre with stained Oak edges*
 Inca - Walnut quarters*
 Kepler - Solid Walnut*

Fuel Beds

White Stones
 Glass Beads - Red, Clear or Black†

Command Control

Sequential remote



Linings

Black Steel (Open Fronted Standard)
 Polished Granite (Open Fronted Upgrade)

* Wood is a natural material. There will be variations in shading and, occasionally, knots in the timbers used.

Fire Choices

		E ⁺	kW [†]	CF	BF
Studio 1 - Open Fronted		25%	1.72kW	✓	✗
Studio 2 - Open Fronted		25%	2.30kW	✓	✗

Chimney Options

Dimensions Δ w x h (mm)

Andes - Studio 1	1332 x 497	Andes - Studio 2	1532 x 497
Inca - Studio 1	1200 x 559	Inca - Studio 2	1400 x 559
Kepler - Studio 1	1332 x 497	Kepler - Studio 2	1532 x 497

† Efficiency figures given are based upon the maximum heat output achieved in the options available for this model, for complete technical information, please see pages 122-123.

Δ Overall visible dimensions upon installation. For more detailed information, including firebox dimensions, please see pages 122-123.

‡ Glass Beads are available as an upgrade to White Stone models





Studio Pienza, Firenze & Sienna



Studio 1 Pienza, Open Fronted with White Stone fuel bed



Studio 1 Sienna, Open Fronted with White Stone fuel bed

The Firenze, Pienza and Sienna stone frames offer three stylish natural options to complement your Studio fire. This range has been created to add maximum visual impact and it blends the subtle textures and delicate tones of natural stone with the very latest in fireplace design.

Available in a choice of two sizes of Open Fronted Studio, the stone frames feature a reflective stainless front plate and optional polished black granite interior. Simply operated by the innovative sequential remote, you can now sit back, relax and control everything at the touch of a button. Style has never been so effortless!

Stone Choice

Firenze - Granite*
Pienza - Limestone*
Sienna - Travertine*

Fuel Beds

White Stones
Glass Beads - Red, Clear or Black†

Command Control

Sequential remote



Linings






Black Steel (Open Fronted Standard)
Polished Granite (Open Fronted Upgrade)

Fire Choices

Chimney Options

Dimensions Δ

w x h (mm)

						
Studio 1 – Open		25%	1.72kW	✓	✗	1200 x 600
Studio 2 – Open		25%	2.30kW	✓	✗	1500 x 600

For detailed information on installing televisions above Open Studio Fires, please see page 122.

† Efficiency figures given are based upon the maximum heat output achieved in the options available for this model. For complete technical information, including flue gather requirements, please see pages 122-127.

Δ Overall visible dimensions upon installation. For more detailed information, including firebox dimensions, please see pages 122-127.

‡ Glass Beads are available as an upgrade to White Stone models

*Stone is a natural material and therefore each fire will have unique variations in the shading and patterning that occur in the stone used.

Studio Slimline

This new slimmer depth fire has been created to allow an easier, quicker and more cost effective installation option for many homes, whilst still retaining all the unmistakable characteristics of the Gazco Studio range.



The Slimline Benefits



The Glass Fronted Studio 1 Slimline has been specifically developed to allow the highly desirable aesthetics of the landscape Studio fires to be achieved in a wider variety of homes by simply recessing into the internal leaf of a cavity wall.

Although compact in design, this highly efficient fire has a heat output of up to 4.25kW and comes complete with Gazco's very latest Thermostatic remote control so you can operate everything from ignition to extinguish with total ease.

Key Features

1. Shallow firebox depth of just 155mm
2. Balanced Flue connection
3. Choice of linings
4. Choice of contemporary or realistic fuel effects
5. Choice of frame styles
6. Convected and radiant heat
7. Convected heat system outlet
8. Thermostatic remote control
9. Rear exit Balanced Flue Termination Kit included*

* Not illustrated



Slimline Frame Options

The Studio 1 Slimline can be installed as a minimalist Edge model with its frameless design or for added impact it can be styled with one of our many high quality frames available, a selection of which are shown on these pages and overleaf. However for a complete frame style reference, please see pages 14-15.

Fuel Effects and Lining Options

To further extend your options for personalisation, there is a choice of three linings and three fuel effects available for the Studio 1 Slimline. Each of the lining choices: contemporary vermiculite, timeless black reeded or classic brick effects can be paired with either realistic log or contemporary white stone fuel effects with the additional option to upgrade your white stones to one of three glass bead effects.



Vermiculite Lining

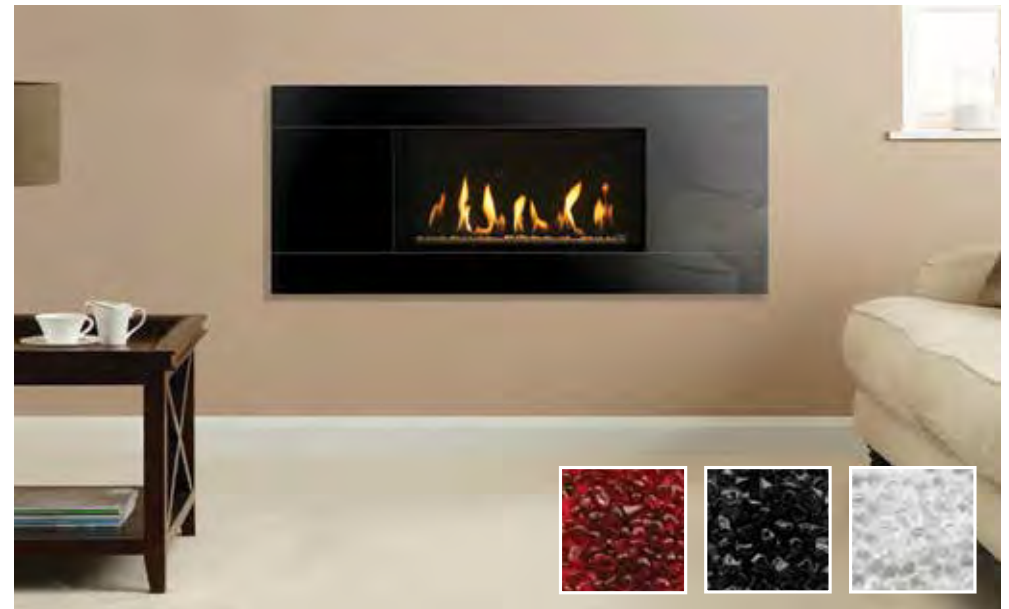


Brick-effect Lining



Black Reeded Lining

With each combination offering a significantly different appearance to the fire, you can be sure to select the perfect combination of fuel effect, lining and frame style to suit your interior decor.

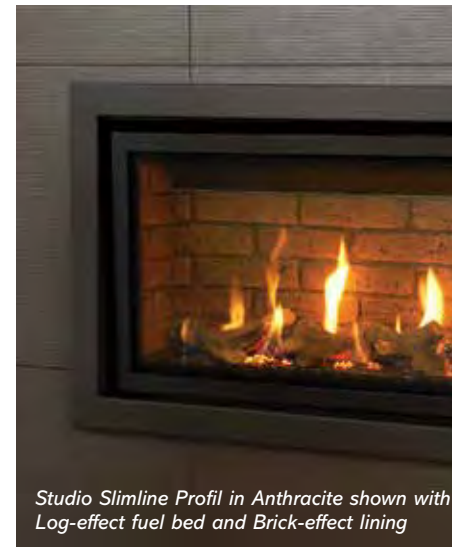


Studio 1 Slimline Glass, Glass Fronted with White Stone fuel bed & Black Reeded Lining. Inset: Upgradable Red, Black & Clear Glass Bead fuel effects.

Studio Slimline



Studio 1 Slimline Edge, Glass Fronted with Log-effect fuel bed and Black Reeded lining



Studio Slimline Profil in Anthracite shown with Log-effect fuel bed and Brick-effect lining



The Studio 1 Slimline offers all the distinctive hallmarks that are synonymous with the Gazco Studio range, with the added benefit of a slimmer firebox designed specifically for simple cavity wall installation.

The Slimline has a wealth of styling options available including a wide frame selection, a choice of three lining options and the option to select from a choice of fuel effects, each allowing you to tailor your fire to your desires and provide a perfect warming heart for your home.

Whether you opt for the modern appeal of the white stone option, the mirror-like qualities of the glass bead fuel effects or for the ultimate 'real fire' look of the log-effect option with its hand-painted detailing and glowing ember bed, your Studio Slimline is a highly efficient fire designed for low running costs in a wide range of homes – and you don't even need a chimney!

Finishes

- | | |
|--|--|
| Anthracite (Bauhaus & Profil) | Metallic Red (Steel 2, Bauhaus, Profil, Verve & Expression Steel) |
| Polished Stainless Steel (Bauhaus & Profil) | Metallic Blue (Steel 2, Bauhaus, Profil, Verve & Expression Steel) |
| Graphite (Steel 2, Verve & Expression Steel) | Metallic Bronze (Steel 2, Bauhaus, Profil, Verve & Expression Steel) |
| Iridium (Steel 2) | Ivory (Steel 2, Bauhaus, Profil, Verve & Expression Steel) |
| Black Glass (Glass) | |

Colour options shown on pages 46-47

Fire Choices

	E ⁻	kW [†]	CF	BF
Studio 1 Slimline - Balanced Flue	<input checked="" type="checkbox"/>	82%	4.25kW	<input checked="" type="checkbox"/>

Chimney Options

Fuel Beds

- Logs
- White Stones
- Glass Beads - Red, Clear or Black[‡]

Linings

- Vermiculite
- Brick Effect
- Black Reeded



Command Controls

- Thermostatic remote

Dimensions Δ w x h (mm)

Edge	745 x 416
Profil	836 x 510
Bauhaus	850 x 524
Expression Steel	940 x 614
Steel 2	1264 x 528
Verve	1264 x 528
Glass	1264 x 528

[†] Efficiency figures given are based upon the maximum heat output achieved in the options available for this model, for complete technical information, please see page 126.

Δ Overall visible dimensions upon installation. For more detailed information, including firebox dimensions, please see page 126.

[‡] Glass Beads are available as an upgrade to White Stone models



*Studio 1 Slimline Profil in Anthracite, Glass Fronted
with Log-effect fuel bed and Vermiculite Lining*

Studio Duplex

For a truly awe-inspiring focal point in your home, the high efficiency, double-sided Duplex fire offers the ultimate stylish solution to practical dual space heating.

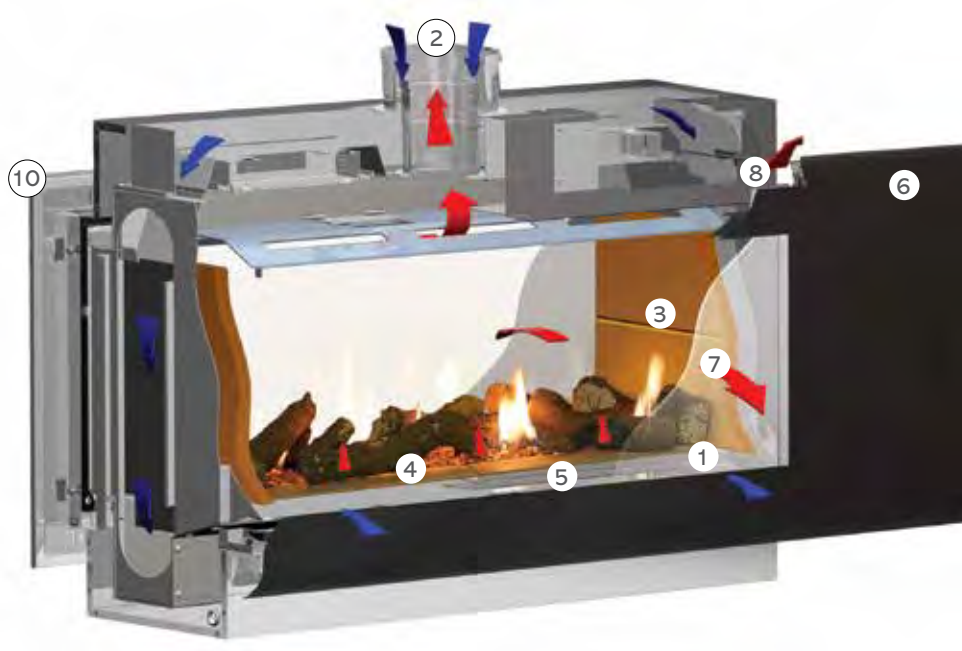


The Duplex Benefits



The Gazco Studio range has long been appreciated for its widescreen flame picture, high efficiency output and broad selection of frame style choices. The new Glass Fronted Studio 2 Duplex has been introduced to allow these fabulous features along with a heat output of up to 7.9kW to be enjoyed from two rooms at once from the same fire. The Studio Duplex also includes a wonderfully realistic log-effect fuel bed with hand-finished detailing and a highly attractive glowing ember effect for the ultimate in real fire ambiance.

Key Features



- 1. Double Glass Fronted firebox
- 2. Balanced Flue connection
- 3. Choice of linings
- 4. Realistic log-effect fire
- 5. Realistic Glowing ember feature
- 6. Wide choice of frame styles
- 7. Convected and radiant heat
- 8. Convected heat system outlet
- 9. Thermostatic remote control
- 10. Dual styling options



Lining Options



Vermiculite Lining



Black Reeded Lining

To further extend your options for personalisation, the Duplex offers a choice of linings, each providing a distinctly different look for your fire. The vermiculite linings complement the hand-painted logs and boost the light appeal of the glowing fire. The black reeded linings however, provide a striking and contrasting backdrop that really serves to display the beautiful flames to their fullest potential.

Duplex Frame Options

The Studio 2 Duplex has the benefit of dual styling possibilities, allowing you to select a different look for each side of the fire - offering double the impact in your home. Whether opting for a minimalist Edge look with its frameless design or choosing a Glass frame with its sparkling, reflective black glass, there are a selection of frame styles that will attract the eye and enhance your two interior spaces. A selection of the stylish frame choices are shown overleaf, however for a complete frame style reference, please see pages 14-15.

Studio Duplex



Studio 2 Duplex with Vermiculite lining and Profil frame in Anthracite



Studio 2 Duplex with Black Reeded lining shown as an Edge installation

One of the latest exciting additions to the Gazco Studio range is the Studio 2 Duplex - offering unrivalled flame pictures in two rooms at once! Available in the popular Studio 2 size, this dual space fire is a much desired solution in having the best of both worlds. With a wealth of frame options to choose from, the Studio 2 Duplex can be styled completely independently on either side to maximise the potential of your own decorative tastes.

To further enhance the many styling options, the Duplex offers the additional choice of two firebox linings: contemporary vermiculite or timeless black reeded - both of which offer a unique and distinctly different look for your Duplex fire. Sporting a stunning hand-painted, log-effect fuel bed complete with subtle glowing ember bed and giving a high efficiency rating of up to 82%, the Studio 2 Duplex not only provides an impressive visual focal point in two rooms, it also produces an impressive 7.9kW heat output.

Finishes

Anthracite (Bauhaus & Profil)	Metallic Red (Steel 2, Bauhaus, Profil, Verve & Expression Steel)
Polished Stainless Steel (Bauhaus & Profil)	Metallic Blue (Steel 2, Bauhaus, Profil, Verve & Expression Steel)
Graphite (Steel 2, Verve & Expression Steel)	Metallic Bronze (Steel 2, Bauhaus, Profil, Verve & Expression Steel)
Iridium (Steel 2)	Ivory (Steel 2, Bauhaus, Profil, Verve & Expression Steel)
Black Glass (Glass)	

Colour options shown on pages 46-47

Fire Choices

Studio 2 Duplex - Balanced Flue		82%	7.9kW	X

Chimney Options

Dimensions Δ w x h (mm)

Edge	945 x 416
Profil	1036 x 510
Bauhaus	1050 x 524
Expression Steel	1140 x 614
Steel 2	1500 x 528
Verve	1500 x 528
Glass	1500 x 528

Fuel Bed

Logs

Linings

Vermiculite
Black Reeded

Command Controls

Thermostatic remote



† Efficiency figures given are based upon the maximum heat output achieved in the options available for this model, for complete technical information, please see page 127.

Δ Overall visible dimensions upon installation. For more detailed information, including firebox dimensions, please see page 127.



Studio 2 Duplex with Vermiculite lining and Bauhaus frame in Anthracite

Coloured Frame Options



Studio 22 Steel in Metallic Red, Glass Fronted with Log-effect fuel bed



Studio 2 Bauhaus in Metallic Bronze, Glass Fronted with Log-effect fuel bed and Vermiculite lining



Studio 1 Verve in Metallic Blue, Glass Fronted with White Stone fuel bed

For those that want to add a splash of colour to their living space, Gazco offer a range of vibrant colour options specifically designed to complement the stylish, contemporary form of many of our modern fire frames.

Whether to enliven your living room or brighten your bedroom, the four striking colours are sure to catch the eye and bring the wow factor to your interior space.

There are four eye-catching colours to choose from : Metallic Red, Metallic Blue, Metallic Bronze and Ivory. Please use the product code for the relevant frame of your choice, with the following suffix for your chosen colour:

- Metallic Red (RD) • Metallic Blue (BL) • Metallic Bronze (BZ) • Ivory (IV)

For example: Studio 1 Open Fronted Profil in Metallic Blue = 8710ANBL

The colours shown on this page are available for the following fires and frames:

Studio Profil	pages 18 - 19
Studio Bauhaus.....	pages 20 - 21
Studio Expression Steel.....	pages 22 - 23
Studio Steel 2	pages 24 - 25
Studio Verve.....	pages 28 - 29
Riva2 500 Verve XS.....	pages 58 - 59
Riva2 530 & 670 Evoke Glass.....	pages 68 - 69
Riva2 530 & 670 Evoke Steel.....	pages 70 - 71
Riva2 530 & 670 Verve.....	pages 72 - 73
Riva2 670 Verve XS.....	pages 74 - 75
Linea Steel.....	pages 112 - 113

In addition to the above fires, the Profil, Bauhaus, Steel 2, Expression Steel and Verve frames are all available in our four supplementary colours for the Studio 22, Studio Slimline and Studio Duplex fires.



Studio 2 Profil in Ivory, Glass Fronted with Log-effect fuel bed and Vermiculite lining



Riva Vision Large gas stove with Log-effect fuel bed and Vermiculite lining

Riva Vision Gas Stoves



Riva Vision Large gas stove with White Stone fuel bed on Riva 140 low bench



Riva Vision Small gas stove with Log-effect fuel bed



Riva Vision Medium gas stove with Log-effect fuel bed with gloss black flue pipe

Sporting an eye-catching glass fronted door and integral glass plinth, the high quality Gas Riva Vision is a sparkling addition to the Gazco range. Comprising four sizes, Small, Midi, Medium and Large, the Riva Vision stoves are complemented by a highly realistic log-effect fuel bed with the additional contemporary white stone or glass bead options available for the Large model. There are versions for both conventional and balanced flue installations, and furthermore the high efficiency Gas Riva Vision range even comes complete with a Thermostatic remote. This gives you complete control, allowing full operation from ignition to extinguish, all from the comfort of your sofa.

To further increase your interior design possibilities, why not also opt for a contemporary stove bench or black gloss flue pipe (conventional flue only) - the perfect complement to these stylish stoves.

The Large log-effect model is also offered with a choice of either vermiculite or black reeded linings.

Finish

Black Glass

Fuel Beds

Logs
White Stones*
Glass Beads - Red,
Clear or Black‡

Linings

Vermiculite (Small, Midi, Medium & Large - Logs)
Black Reeded (Large - Logs)
Black Enamel (Large - White Stones or Glass Beads)

Command Controls

Thermostatic remote



* White Stones and Glass Beads available for the Riva Vision Large only
‡ Glass Beads are available as an upgrade to White Stone models

For complete product and technical information, please see the Gazco Gas & Electric Stoves brochure, alternatively you can scan this QR code or visit www.gazco.com



Riva2 Fires

Our prestigious range of Riva2 fires combines stylish aesthetics with the high levels of performance you would expect from Gazco. Choose from a selection of portrait and landscape fires along with a wide variety of styling options to create the perfect Riva2 for your home.



*Riva2 670 Designio2 Steel in Graphite with Vermiculite lining
shown with Rovere Wood Effect Fireplace Surround Tiles*

Riva2 500 (pages 52 - 61)

The new Riva2 500 has been specifically proportioned to fit a standard 22" wide British fireplace, offering you greater opportunity to introduce a stunning gas fire into your home with complete ease of installation.

Offering up to 4.8kW of high efficiency heat output, the Riva2 500 will provide cosy warmth for those cold winter evenings as well as the ambiance of a highly realistic log-effect fire with glowing ember bed. The Riva2 500 also comes with a Thermostatic remote to give you complete control over your fire from your sofa, for the ultimate in convenience and relaxation!



Riva2 500 Verve XS with Black Reeded Lining

Riva2 530 & 670 (pages 62 - 75)

The Riva2 530 and Riva2 670 offer you extensive and exciting options to help you create the perfect look for your home and taste. Both the portrait 530 and the landscape 670 have an impressive heat output of up to 5.6kW and a high efficiency rating of 82%, all fully operated via a Thermostatic remote that offers handy programming functions.

The realistic log-effect fire can be paired with a choice of three linings, each creating a distinctly different look for the fire that can be further enhanced by a wide choice of contemporary frame options.



*Riva2 530 Designio2 Glass
with Vermiculite Lining*



Riva2 670 Evoke Steel with Brick Effect Lining

Riva2 800 & 1050 (pages 76 - 95)

The Riva2 800 and Riva2 1050 are striking high efficiency fires, designed to make both a warming and visual impact in rooms of larger proportions. With several styling options available from our classical stone mantels to the more contemporary frameless hole-in-the-wall look fire, the Riva2 800 and 1050 will create an alluring centre-piece to any room, whatever your interior taste.

The Riva2 800 and Riva2 1050 are supplied with a Programmable Sequential remote control that allows you to control everything from ignition to extinguish, including thermostatic and timer programming functions, to ensure that your home will always be warm and welcoming.



Riva2 800 Edge with Vermiculite Lining



Riva2 1050 Edge with Vermiculite Lining

Riva2 500

With proportions thoughtfully designed to fit a standard 22" British fireplace opening and offered with a selection of stunning frames, the Riva2 500 has the potential not only for straight forward installation but a look that can be tailored to your home's decor.



Riva2 500 Verve XS in Graphite with Vermiculite lining

Frame Options

Choose from the contemporary styling of the 'Edge' with its clean, frameless design for that 'hole in the wall' look or alternatively opt for one of Gazco's distinctive frames to extend your styling possibilities. Designed for hearth-mounting, the new Ellingham front is beautifully crafted from cast iron and takes inspiration from Neo-Georgian architecture. The curved Verve XS is a modern,

3D frame in sophisticated Graphite that can be personalised by selecting from one of four additional colour finishes: Metallic Red, Metallic Blue, Metallic Bronze and Ivory. To add a touch of sparkle to your living space, the Icon is a shining, reflective black glass frame that will create a real presence in your home with its clean, geometric lines.



Riva2 500 Edge



Riva2 500 Ellingham (Black Cast Iron)



Riva2 500 Verve XS (Graphite)



Riva2 500 Icon (Black Glass)

Lining Options



Vermiculite Lining



Black Reeded Lining



Brick Effect Lining

To further enhance your styling possibilities and ensure you can achieve a look that will best suit you and your home, Gazco has developed three lining options, each providing an entirely different aesthetic for the stunning log-effect fire.

Opt for the classic brick effect; the light and contemporary vermiculite or the timelessly glamorous black reeded lining - all of which will set off the beautiful flames, hand-painted logs and glowing ember effect of your Riva2 500 in their own unique way.

Remote Control

The Riva2 500 comes with a programmable Thermostatic remote control, enabling you to enjoy the full functions of your fire from the comfort of your armchair or sofa.

The remote sports a number of impressive settings: you can set your fire to thermostatically maintain a specific room temperature of your choosing, or you can even programme your fire to a daily or weekly timer schedule for the ultimate in ease and convenience.

Should you mislay your handset, Riva2 500 fires also come complete with a flat Touch Control panel that can be discreetly wall mounted up to 2.5 metres away from the fire, allowing you to ignite, extinguish and control the flame height with ease.

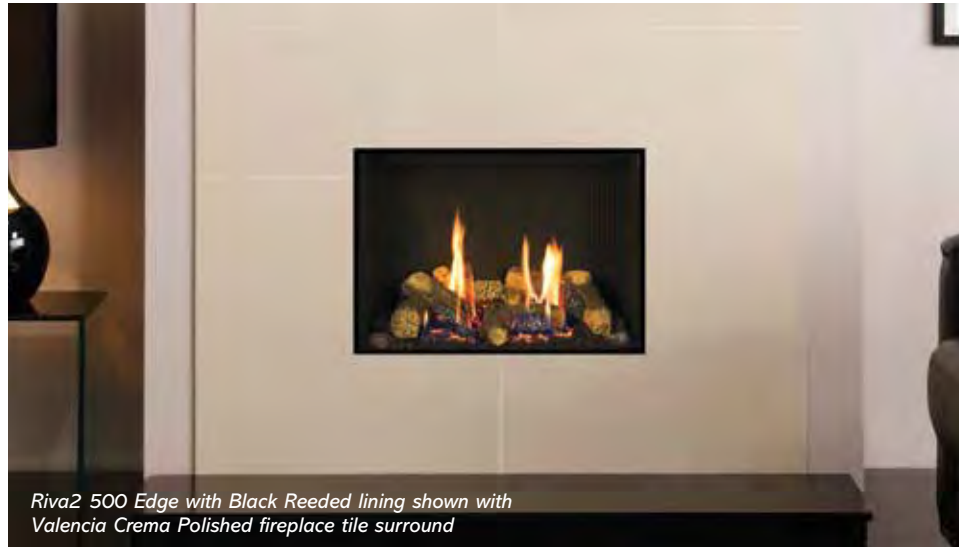


Thermostatic remote & flat Touch Control panel



Riva2 500 Edge with Vermiculite lining shown with Victorian Corbel mantel in Antique White Marble

Riva2 500 Edge



Riva2 500 Edge with Black Reeded lining shown with Valencia Crema Polished fireplace tile surround



Riva2 500 Edge with Brick-effect lining

The frameless aesthetic of the Riva2 500 Edge allows you to create a chic, minimalist look whilst simultaneously bringing a focus to the beautiful flames and glowing ember bed of this highly efficient gas fire.

The simple, clean lines of this 'hole in the wall' fire can be further enhanced by creating a feature wall from Gazco's carefully selected range of fireplace tile surround packages as shown on page 134 - 135. This contemporary collection of porcelain and natural stone tiles are the perfect complement to the modern aesthetics of the Riva2 500 Edge and an ideal way to redress a standard 22" wide fireplace opening.

Additionally, choose from one of three lining choices, each is designed to provide a different look for your fire and offers you more versatility to achieve the look that's right for you.

Fuel Bed
Logs

Linings
Vermiculite
Brick Effect
Black Reeded







Command Controls
Thermostatic remote



Fire Choices

Chimney Options

Dimensions^Δ

					w x h (mm)	
Riva2 500		75%	4.80kW	✓	✗	550 x 388
Riva2 500 - Balanced Flue		82%	4.80kW	✗	✓	550 x 388

† Efficiency figures given are based upon the maximum heat output achieved in the options available for this model, for complete technical information, please see page 127.

Δ Overall visible dimensions upon installation. For more detailed information, including firebox dimensions, please see page 127.



Riva2 500 Ellingham



Riva2 500 Ellingham with Black Reeded lining

Crafted from cast iron, the Ellingham front is a new surround option for hearth mounted installations of the Riva2 500.

With cast detailing, the Ellingham adds a touch of grace and elegance to Gazco's range of smaller, but high efficiency, glass fronted Riva2 fires. Although classic in style, the Ellingham will sit equally at home in both modern and traditionally styled interiors, with a matt black finish to offset the highly realistic log effect and choice of either Brick effect, Vermiculite or Black Reeded lining options.

Finish
Matt Black Cast Iron

Linings
Vermiculite
Brick Effect
Black Reeded

Fuel Bed
Logs

Command Controls
Thermostatic remote



Fire Choices

Chimney Options

Dimensions^Δ

		E ⁻	kW [†]	CF	BF	w x h (mm)
Riva2 500	⊗	75%	4.80kW	✓	✗	885 x 678
Riva2 500 - Balanced Flue	⊗	82%	4.80kW	✗	✓	885 x 678

[†] Efficiency figures given are based upon the maximum heat output achieved in the options available for this model, for complete technical information, please see page 127.

^Δ Overall visible dimensions upon installation. For more detailed information, including firebox dimensions, please see page 127.



Riva2 500 Verve XS



Riva2 500 Verve XS in Graphite with Vermiculite lining. Also shown: Rovere Wood Effect fireplace tile surround.



Riva2 500 Verve XS in Metallic Bronze with Brick-effect lining

The compact proportions of the high efficiency Riva2 500 can be extended to add a greater focus on the wall by styling it with the new Verve XS, a contemporary frame with unmistakable flair. This thoughtfully designed frame, with its horizontal curve and smart graphite finish, forms the perfect contemporary counterbalance to the traditional aesthetics of the highly realistic log-effect fire.

Your Riva2 500 Verve XS can be tailored to your own particular preference by choosing from one of three distinctly different fire linings in either chic brick effect, light vermiculite or smart black reeded. You can further customise your fire and add a splash of colour to your living room by choosing one of the four additional colour options for your frame; Metallic Red, Metallic Blue, Metallic Bronze or Ivory.

Colour Choice

- Graphite
- Metallic Red
- Metallic Blue
- Metallic Bronze
- Ivory

Linings

- Vermiculite
- Brick Effect
- Black Reeded

Fuel Bed

- Logs

Command Controls

- Thermostatic remote



Colour options shown on pages 46 - 47

Fire Choices

Chimney Options

Dimensions^Δ

					w x h (mm)	
Riva2 500		75%	4.80kW	✓	✗	890 x 621
Riva2 500 - Balanced Flue		82%	4.80kW	✗	✓	890 x 621

[†] Efficiency figures given are based upon the maximum heat output achieved in the options available for this model, for complete technical information, please see page 127.

^Δ Overall visible dimensions upon installation. For more detailed information, including firebox dimensions, please see page 127.

Riva2 500 Icon



Riva2 500 Icon with Brick-effect lining



Riva2 500 Icon with Vermiculite lining



Riva2 500 Icon with Black Reeded lining

A frame with real impact, the Icon has been created to make a bold style statement with its sleek, black reflective surfaces and a chic geometric design. At home in both modern and more traditionally styled interiors, the Icon will add a touch of grandeur to the compact proportions of the Riva2 500.

You can tailor your fire by selecting from one of our three lining choices, each offering a different setting to display the beautiful flames and the warming ambience conjured by the hand detailed logs.

Finish
Black Glass

Linings
Vermiculite
Brick Effect
Black Reeded

Fuel Bed
Logs

Command Controls
Thermostatic remote



Fire Choices

Chimney Options

Dimensions ^Δ

		E ⁻	kW [†]	CF	BF	w x h (mm)
Riva2 500	<input checked="" type="checkbox"/>	75%	4.80kW	✓	✗	945 x 784
Riva2 500 - Balanced Flue	<input checked="" type="checkbox"/>	82%	4.80kW	✗	✓	945 x 784

[†] Efficiency figures given are based upon the maximum heat output achieved in the options available for this model, for complete technical information, please see page 127.

^Δ Overall visible dimensions upon installation. For more detailed information, including firebox dimensions, please see page 127.



Riva2 500 Icon with Vermiculite Lining shown with Pretoria Anthracite Polished and Durban White Matt fireplace surround tiles



Riva2 530 & 670

The Riva2 530 and Riva2 670 are contemporary gas fires that are available with a stunning collection of contemporary and traditional frames and lining options, enabling you to create the perfect look for your home.

Riva2 670 Evoke Steel in Metallic Red with Brick-effect lining

Frame Options

There is an extensive choice of frames available for the Riva2 530 and 670 fires and several come with a number of additional colour finishes to create your own individual look.

Choose from the designer curves of the 3D Verve frame, also available in a Verve XS model with slimmer proportions, the Evoke Glass or Evoke Steel with their stunning layered composition and wide range of styling possibilities, and the subtle detailing of the sophisticated Designio2 Glass and Designio2 Steel.

Where this symbol is shown there are four further colour options available: Metallic Red, Metallic Bronze, Metallic Blue & Ivory. Further details can be found on the relevant product pages.



Riva2 670 Verve XS



Riva2 670 Evoke Glass - Black or White Glass



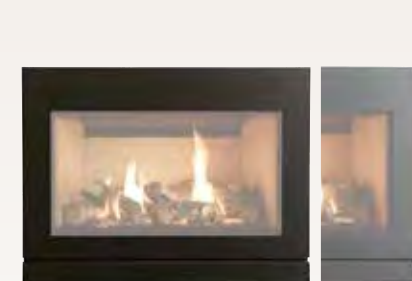
Riva2 670 Designio2 Glass



Riva2 670 Verve



Riva2 670 Evoke Steel



Riva2 670 Designio2 Steel - Graphite or Iridium

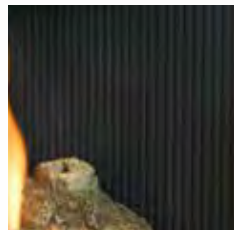
Lining Options

To create a truly bespoke look that is just right for you, there is a choice of three stylish linings, each designed to offer a different look for the outstandingly realistic log-effect fire.

Choose from the classic brick effect, chic vermiculite or the thoroughly smart black reeded lining, all of which form a unique complement to the attractive Riva2 530 and 670 fires.



Vermiculite Lining



Black Reeded Lining



Brick Effect Lining

Remote Control

Supplied as standard with your Riva2 530 or 670 fire, the multi-function Thermostatic remote enables ignition, extinguish and flame control alongside advanced thermostatic and timer programming functions. Whether you decide to set a daily or weekly programme or simply prefer to maintain a desired room temperature, your gas fire can provide a warming welcome, every time you return home.



Thermostatic remote

Simple Installation

The Riva2 530 and 670 are both compatible with our optional linerless flue kit. At just 0.5 metres long, this short piece of flexible, stainless steel flue pipe and debris deflector has been specifically designed to be slotted into your masonry chimney. This eliminates the need for the chimney to be fully lined and any associated labour, facilitating a simpler and more cost effective installation.



Riva2 530 Designio2 Glass with Brick-effect lining

Riva2 530 & 670 Designio2 Glass



Riva2 670 Designio2 Glass with Black Reeded lining



Riva2 530 Designio2 Glass with Vermiculite lining

The Designio2 Glass frame has smart, reflective black surfaces with subtle detailing and clean lines. It is a sophisticated front for both the portrait dimensions of the Riva2 530 and the landscape shape of the Riva2 670 and its simple, chic design will complement a wide array of interiors.

Combined with your choice of the three linings available in brick effect, vermiculite or black reeded, and teamed with your choice of fireplace surround tiles or colour scheme, the Designio2 makes for a glamorous addition to your home.

The sleek finish of the Designio2 Glass naturally forms an elegant frame for the beautiful flames, highly realistic logs and ember bed for a fireplace with the wow-factor. This stunning fire can also be hearth-mounted for installation into a traditional fireplace opening.

Finish
Black Glass

Linings
Vermiculite
Brick Effect
Black Reeded

Fuel Bed
Logs

Command Controls
Thermostatic remote



Fire Choices

Chimney Options

Dimensions^Δ

		E ⁻	kW [†]	CF	BF	w x h (mm)
Riva2 530		75%	5.1kW	✓	✗	608 x 704
Riva2 530 - Balanced Flue		82%	5.4kW	✗	✓	608 x 704
Riva2 670		75%	5.1kW	✓	✗	735 x 569
Riva2 670 - Balanced Flue		82%	5.6kW	✗	✓	735 x 569

[†] Efficiency figures given are based upon the maximum heat output achieved in the options available for this model, for complete technical information, please see pages 128-129.

^Δ Overall visible dimensions upon installation. For more detailed information, including firebox dimensions, please see pages 128-129.

The Riva2 530 and 670 are both compatible with our linerless flue kit for a simplified installation. Please see page 63 for further information.

Riva2 530 & 670 Designio2 Steel



Riva2 670 Designio2 Steel in Graphite with Vermiculite lining



Riva2 530 Designio2 Steel in Iridium with Black Reeded lining

The Designio2 Steel is a tasteful frame that has been thoughtfully shaped for the Riva2 530 and 670 and which sports a simple yet sophisticated design.

Finished in a choice of stylish Graphite or smart Iridium, the Designio2 Steel offers you a complete focal point with a thoroughly contemporary and cutting edge look that will complement many interiors and decors.

Pair it with one of the three linings, in brick effect, vermiculite and black reeded that are available with the Riva2 530 and 670 to craft your very own fire, tailored to you and your home, including hearth-mounted installation for a more traditional looking fireplace.

Finishes

Graphite
Iridium

Linings

Vermiculite
Brick Effect
Black Reeded

Fuel Bed

Logs

Command Controls

Thermostatic remote



Fire Choices

Chimney Options

Dimensions^Δ

					w x h (mm)	
Riva2 530		75%	5.1kW	✓	✗	608 x 704
Riva2 530 - Balanced Flue		82%	5.4kW	✗	✓	608 x 704
Riva2 670		75%	5.1kW	✓	✗	735 x 569
Riva2 670 - Balanced Flue		82%	5.6kW	✗	✓	735 x 569

[†] Efficiency figures given are based upon the maximum heat output achieved in the options available for this model, for complete technical information, please see pages 128-129.

^Δ Overall visible dimensions upon installation. For more detailed information, including firebox dimensions, please see pages 128-129.

The Riva2 530 and 670 are both compatible with our linerless flue kit for a simplified installation. Please see page 63 for further information.



Riva2 670 Designio2 Steel in Graphite with Brick-effect lining



Riva2 530 & 670 Evoke Glass



Riva2 670 Evoke Glass in Black Glass with Metallic Bronze rear and Black Reeded lining



Riva2 530 Evoke Glass in White Glass with Graphite rear and Brick-effect lining

The Evoke Glass is an eye-catching frame with two layers of stunning reflective glass and sophisticated steel combining to create a thoroughly stylish accompaniment to the portrait dimensions of the 530 and the landscape 670. Choose from shining black or white glass for the front of your frame, to complement the bevelled rear steel section in Graphite and with the additional choice of colour finishes from vibrant Metallic Red, Metallic Blue, Metallic Bronze and Ivory.

Furthermore with three chic lining options, the combination possibilities available with the Riva2 530 and 670 are numerous, enabling you to create a truly bespoke fire for your home.

Front Finishes

Black Glass
White Glass

Linings

Vermiculite
Brick Effect
Black Reeded

Rear Finishes

Graphite
Metallic Red
Metallic Blue
Metallic Bronze
Ivory

Fuel Bed

Logs

Command Controls

Thermostatic remote



Colour options are shown on pages 46 - 47.

Fire Choices

Chimney Options

Dimensions ^Δ

		E [†]	kW [†]	CF	BF	w x h (mm)
Riva2 530		75%	5.1kW	✓	✗	795 x 752
Riva2 530 - Balanced Flue		82%	5.4kW	✗	✓	795 x 752
Riva2 670		75%	5.1kW	✓	✗	920 x 622
Riva2 670 - Balanced Flue		82%	5.6kW	✗	✓	920 x 622

[†] Efficiency figures given are based upon the maximum heat output achieved in the options available for this model, for complete technical information, please see pages 128-129.

^Δ Overall visible dimensions upon installation. For more detailed information, including firebox dimensions, please see pages 128-129.

The Riva2 530 and 670 are both compatible with our linerless flue kit for a simplified installation. Please see page 63 for further information.



Riva2 670 Evoke Steel with Graphite front and rear with Brick-effect lining

Riva2 530 & 670 Evoke Steel



Riva2 670 Evoke Steel with Ivory front, Graphite rear and Vermiculite lining



Riva2 530 Evoke Steel with Metallic Blue front, Graphite rear and Black Reeded lining

The Evoke Steel is a stunning, two-part design that blends expertly into today's modern interiors. The front face of this frame comes in a stylish Graphite finish with the option for customisation in one of four exciting additional colour choices. The attractive bevelled rear is left in Graphite to perfectly complement the standard finish on the front or form a contrasting border to any of the bold colour choices. With Thermostatic remote control and high efficiency output, the Riva2 Evoke steel will be as impacting in its functionality as it is in its designer aesthetics.

Front Finishes

Graphite
Metallic Red
Metallic Blue
Metallic Bronze
Ivory

Rear Finishes

Graphite

Linings

Vermiculite
Brick Effect
Black Reeded

Fuel Bed

Logs

Command Controls

Thermostatic remote



Also see image on page 62.

Colour options are shown on pages 46 - 47.

Fire Choices

Chimney Options

Dimensions*

		E ⁻	kW [†]	CF	BF	w x h (mm)
Riva2 530		75%	5.1kW	✓	✗	795 x 752
Riva2 530 - Balanced Flue		82%	5.4kW	✗	✓	795 x 752
Riva2 670		75%	5.1kW	✓	✗	920 x 622
Riva2 670 - Balanced Flue		82%	5.6kW	✗	✓	920 x 622

[†] Efficiency figures given are based upon the maximum heat output achieved in the options available for this model, for complete technical information, please see pages 128-129.

^Δ Overall visible dimensions upon installation. For more detailed information, including firebox dimensions, please see pages 128-129.

The Riva2 530 and 670 are both compatible with our linerless flue kit for a simplified installation. Please see page 63 for further information.

Riva2 530 & 670 Verve



Riva2 670 Verve in Graphite with Black Reeded lining



Riva2 530 Verve in Metallic Bronze with Vermiculite lining



Riva2 670 Verve in Graphite with Brick-effect lining

The stylish Verve is a 3D frame designed to create maximum impact in your home. Designed with a gentle curving form that can be appreciated from all angles, the Verve is available in sophisticated Graphite or can be tailored to your room with one of Gazco's vibrant colour finishes: Metallic Red, Metallic Blue, Metallic Bronze or Ivory to create an even stronger style statement.

A Riva2 Verve can be further styled with a choice of three lining options to complement the beautiful log-effect fire, so whether it's for a sumptuous sitting room or a stylish study, you can enjoy a thoroughly contemporary fire and add a touch of warming luxury to your home.

Finishes

Graphite
Metallic Red
Metallic Blue
Metallic Bronze
Ivory

Linings

Vermiculite
Brick Effect
Black Reeded

Fuel Bed

Logs

Command Controls

Thermostatic remote



Colour options are shown on pages 46 - 47

Fire Choices

Chimney Options

Dimensions^Δ

					w x h (mm)	
Riva2 530		75%	5.1kW	✓	✗	690 x 835
Riva2 530 - Balanced Flue		82%	5.4kW	✗	✓	690 x 835
Riva2 670		75%	5.1kW	✓	✗	1325 x 621
Riva2 670 - Balanced Flue		82%	5.6kW	✗	✓	1325 x 621

† Efficiency figures given are based upon the maximum heat output achieved in the options available for this model, for complete technical information, please see pages 128-129.

Δ Overall visible dimensions upon installation. For more detailed information, including firebox dimensions, please see pages 128-129.

The Riva2 530 and 670 are both compatible with our linerless flue kit for a simplified installation. Please see page 63 for further information.





*Riva2 670 Verve XS in Graphite
with Brick-effect lining*

Riva2 670 Verve XS



Riva2 670 Verve XS in Ivory with Vermiculite lining



Riva2 670 Verve XS in Graphite with Black Reeded lining shown with Slate Di Savoia Mosaic Finish Fire Surround Tiles

Specifically designed for the Riva2 670, the Verve XS offers the same subtly curving form of the standard Verve frame but with slimmer proportions to suit narrower walls or spaces.

The Verve XS comes in smart Graphite or can be finished in one of four striking additional colour options to suit your interior tastes. The highly realistic fire is enhanced by Gazco's stunning glowing ember bed, offering all the ambiance of a real log flame in the modern convenience of a high efficiency gas fire.

Finishes

Graphite
Metallic Red
Metallic Blue
Metallic Bronze
Ivory

Linings

Vermiculite
Brick Effect
Black Reeded

Fuel Bed

Logs

Command Controls

Thermostatic remote



Colour options are shown on pages 46-47

Fire Choices

Chimney Options

Dimensions*

		E ⁻	kW [†]	CF	BF	w x h (mm)
Riva2 670		75%	5.1kW	✓	✗	1000 x 621
Riva2 670 - Balanced Flue		82%	5.6kW	✗	✓	1000 x 621

† Efficiency figures given are based upon the maximum heat output achieved in the options available for this model, for complete technical information, please see pages 128-129.

Δ Overall visible dimensions upon installation. For more detailed information, including firebox dimensions, please see pages 128-129.

The Riva2 670 is compatible with our linerless flue kit for a simplified installation. Please see page 63 for further information.

Riva2 800

The Riva2 800 model takes large format gas fires to a whole new level with high efficiency heating and striking designer aesthetics. This stunning fire is available with a choice of styling options in addition to being compatible with Gazco's collection of six beautifully crafted, classic stone mantels.



Riva2 800 Sorrento with Vermiculite lining in Natural Limestone



Frame Options

Whether you want to achieve an up to the minute look, or have your heart set on something a little more traditional, the Riva2 800 is as impressive in its styling potential as it is in its heating performance.

Installing your fire as a frameless Edge model will bring a thoroughly contemporary focal point to your room with the beautiful flame picture providing all the aesthetic appeal. To enhance the Edge model further, consider creating a feature wall with one of Gazco's Fireplace Tile Surround packages as shown on pages 134-135. This exquisite collection of natural stone and porcelain tiles work well with any contemporary fireplace setting but are a particular complement to the modern Edge models.

To add yet more visual impact to this impressively proportioned fire, there is a choice of frames all designed to enrich the clean geometric form of the Riva2 800. Opt for the new Icon frame with its sleek black glass front to really accentuate the fire as a wall mounted focal point or for an alternative hearth mounted look, consider the Sorrento frame which is crafted from your choice of natural limestone or graphite granite.

For an altogether more traditional look, pair your Riva2 800 with one of six timeless and elegant stone mantels, expertly blending classical fireplace styling with the very latest in heating design and technology.



Riva2 800 Edge



Riva2 800 Sorrento - Graphite Granite or Natural Limestone



Riva2 800 Icon - Black Glass



Riva2 800 with Claremont Stone Mantel in Natural Limestone.*

*There is a choice of six stone mantels in either Natural Limestone or Antique White Marble.

Lining Options

To further tailor your Riva2 800 to your own setting, there is a choice of two stylish linings, each designed to offer a completely different look for this impressively proportioned fire. Choose from the timeless black reeded lining for a more classic look or opt for the vermiculite lining which extends the light of the fire glow.



Black Reeded Lining



Vermiculite Lining

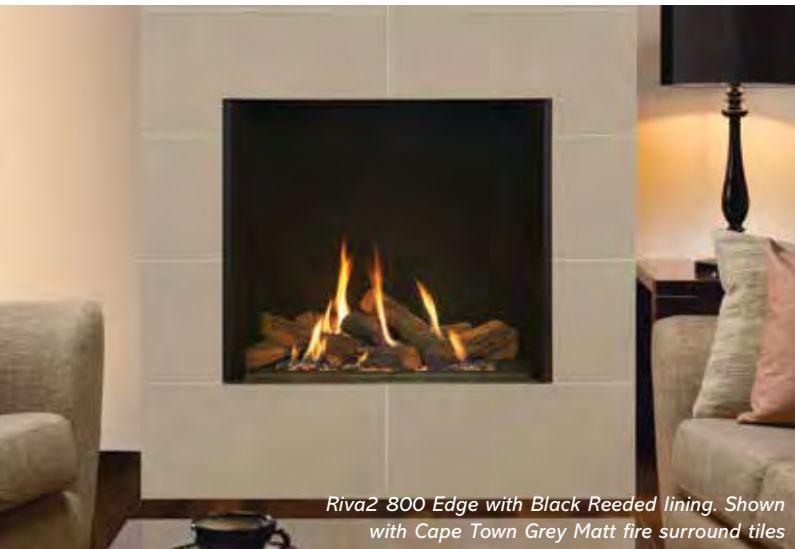
Remote Control

Riva2 800 fires come complete with a state-of-the-art programmable Sequential remote control as standard. This allows remote operation of everything from ignition to extinguish as well as incorporating the benefits of a programmable timer and thermostat. Should you mislay your handset, the Riva2 800 also comes complete with a flat Touch Control panel that can be discreetly wall mounted up to 2.5 metres away from the fire, allowing you to ignite, extinguish and control the flame height with ease.



Sequential Remote and Flat Touch Control Panel

Riva2 800 Edge



Riva2 800 Edge with Black Reeded lining. Shown with Cape Town Grey Matt fire surround tiles



Riva2 800 Edge with Vermiculite lining



Developed for those who want the visual impact and heat of a flaming log fire without the inconvenience of carrying logs and removing ash, the Riva2 800 Edge offers high efficiency in a frameless gas fire.

The frameless look allows you to create a more minimalist décor, to which tiles or wall colours and finishes can be added to maximise the overall impression of depth and space. Gazco offers a range of fireplace surround packages to go with the Riva2 Edge fires which are shown in our separate Fireplace Surround Packages brochure. This can be viewed or downloaded at www.gazco.com.

Although the Riva2 800 is available as a balanced flue fire only, it can be installed into a conventional chimney by using the optional Riva2 renovation kit. Details of this can be found on page 130.

Fire Choices

Chimney Options

Dimensions*

		E ⁻	kW [†]	CF	BF	w x h (mm)
Riva2 800 Balanced Flue	<input checked="" type="checkbox"/>	82%	7.38kW	<input checked="" type="checkbox"/>	<input checked="" type="checkbox"/>	870 x 760

[†] Efficiency figures given are based upon the maximum heat output achieved in the options available for this model, for complete technical information, please see page 129.

^{*} Overall visible dimensions upon installation. For more detailed information, including firebox dimensions, please see page 129.

Fuel Bed

Logs

Linings

Vermiculite
Black Reeded

Command Controls

Sequential remote





Riva2 800 Icon



Riva2 800 Icon with Vermiculite lining. Shown with Cavallino Zebra fire surround tiles



Riva2 800 fuel bed with Black Reeded lining



The Icon is a truly awe-inspiring frame and the perfect complement to the large format Riva2 800 fire. Iconic in both name and nature, this luxuriant frame is designed to make an impact. The resplendent, highly reflective black glass with clean geometric lines, offers unrivalled flair and elegance to today's modern aesthetics whilst being equally at home in more classically styled interiors, ensuring the Icon will blend seamlessly with your own decorative tastes.

The Riva2 800 Icon is also a high performing fire, that has a heat output of up to 7.38kW. The virtually invisible glass window offers an uninterrupted view of the stunningly realistic logs with innovative glowing ember effect fuel bed, whilst the Sequential remote control provides the finishing touch - perfect comfort at just the touch of a button.

Finish
Black Glass

Fuel Bed
Logs

Linings
Vermiculite
Black Reeded

Command Controls
Sequential remote



Fire Choices

Chimney Options

Dimensions ^Δ

					w x h (mm)
Riva2 800 Balanced Flue	82%	7.38kW	X	✓	1263 x 1158

[†] Efficiency figures given are based upon the maximum heat output achieved in the options available for this model, for complete technical information, please see pages 129.

^Δ Overall visible dimensions upon installation. For more detailed information, including firebox dimensions, please see page 129.



Riva2 800 Icon with Vermiculite lining

Riva2 800 Sorrento



Riva2 800 Sorrento with Black Reeded lining in Natural Limestone



Riva2 800 Sorrento with Vermiculite lining in Graphite Granite

The Sorrento surround has been designed to provide a contrast between the timeless beauty of natural stone and the advanced technology of the new Riva2 800. The simple lines of the surround and hearth provide the perfect frame to the warming glow of the highly realistic log fire, to establish a true focal point in your room.

Operation is impressive too, with all functions operated by the fully Sequential remote control.

Although the Riva2 800 is available as a balanced flue fire only, it can be installed into a conventional chimney by using the optional Riva2 renovation kit. Details of this can be found on page 130.

Fire Choices

Chimney Options

Dimensions ^Δ

					w x h (mm)
Riva2 800 Balanced Flue	82%	7.38kW	X	✓	1260 x 1009

[†] Efficiency figures given are based upon the maximum heat output achieved in the options available for this model, for complete technical information, please see pages 129

^Δ Overall visible dimensions upon installation. For more detailed information, including firebox dimensions, please see pages 129.

Finishes

Natural Limestone
Graphite Granite

Fuel Bed

Logs

Linings

Vermiculite
Black Reeded

Command Controls

Sequential remote





Riva2 800 Stone Mantels



Victorian Corbel with Vermiculite lining



Claremont with Vermiculite lining



Grafton with Black Reeded lining

The Riva2 800 can also be combined with your choice of elegant stone mantel. There are six designs to suit both traditional interiors and more modern decorative styles. Available in either the clean look of antique white marble or the gentle warmth of natural limestone, the mantels feature hand-finished craftsmanship that provides the highest levels of aesthetic and tactile appeal.

Enjoy all the delights of a highly realistic log fire framed within the mantel, fully operational from the comfort of your favourite armchair using the Sequential remote control.

Although the Riva2 800 is available as a balanced flue fire only, it can be installed into a conventional chimney by using the optional Riva2 renovation kit. Details of this can be found on page 130.

Stone Choices

Antique White Marble
Limestone

Fuel Bed

Logs

Linings

Vermiculite
Black Reeded

Command Controls

Sequential remote



Fire Choices

		E⁺	kW[†]	CF	BF
Riva2 800 Balanced Flue		82%	7.38kW	X	✓

Chimney Options

Our stone mantels are crafted from high quality, natural materials and therefore will contain naturally occurring veining, subtle tonal differences and indeed, small fossils that may be found in the limestone.

† Efficiency figures given are based upon the maximum heat output achieved in the options available for this model, for complete technical information, please see page 129

Δ Overall visible dimensions upon installation. For more detailed information, including firebox dimensions, please see page 129.

Mantel Styles	Dimensions ^Δ w x h (mm)
Claremont	1555 x 1143
Cavendish Bolection	1460 x 1320
Georgian Roundel	1460 x 1082
Grafton	1415 x 1165
Sandringham	1550 x 1220
Victorian Corbel	1525 x 1170





Riva2 800 with Vermiculite lining and Sandringham Mantel in Limestone

Riva2 800 Stone Mantels (continued)



Sandringham with Vermiculite lining



Georgian Roundel with Vermiculite lining



Cavendish Bolection with Black Reeded lining

Whatever your choice of stone mantel, the Riva2 will make an impressive centrepiece in any home. It is highly efficient too, with a large glass area providing radiant heat, while convected heat enters the room through high level grilles in the false chimney breast (constructed to house the fire). A perfect combination of style and technology!

Mantel Styles	Dimensions ^Δ w x h (mm)
Claremont	1555 x 1143
Cavendish Bolection	1460 x 1320
Georgian Roundel	1460 x 1082
Grafton	1415 x 1165
Sandringham	1550 x 1220
Victorian Corbel	1525 x 1170

Fuel Bed
Logs

Stone Choices
Antique White Marble
Limestone

Linings
Vermiculite
Black Reeded

Command Controls
Sequential remote



Fire Choices

	E-	kW [†]	CF	BF
Riva2 800 Balanced Flue	<input checked="" type="checkbox"/>	82%	7.38kW	<input checked="" type="checkbox"/>

Chimney Options

Our stone mantels are crafted from high quality, natural materials and therefore will contain naturally occurring veining, subtle tonal differences and indeed, small fossils that may be found in the limestone.
[†] Efficiency figures given are based upon the maximum heat output achieved in the options available for this model, for complete technical information, please see pages 129.
^Δ Overall visible dimensions upon installation. For more detailed information, including firebox dimensions, please see page 129.

Riva2 1050

The largest fire in the Riva2 range, the Riva2 1050 is designed to provide maximum visual impact in rooms of larger proportions. This striking landscape fire is available as an 'Edge', or with a Sorrento or new glass Icon frame which enhances the stunning widescreen flames even further!



Riva2 1050 Icon with Vermiculite lining. Shown with Zelo Slimline Grey Fire Surround Tiles.

Frame Options

The Riva2 1050 comes with a number of styling and frame options that have all been thoughtfully designed to enhance the impressive dimensions of this landscape fire.

For installations set into the wall, the frameless Riva2 1050 Edge can be selected to create a thoroughly contemporary look with simple clean lines and a cutting edge 'hole in the wall' aesthetic. To maximise your fire as a centrepiece on the wall, opt for the Icon frame with a highly reflective black glass finish that is sure to attract the eye and add a touch of glamour and opulence to your interior décor.

For hearth mounted installations, the graceful proportions of the Sorrento surround enables you to recreate a style reminiscent of a traditional fireplace whilst still maintaining a thoroughly contemporary look for your living space. Available in either graphite granite or natural limestone.



Riva2 1050 Edge



Riva2 1050 Icon - Black Glass



Riva2 1050 Sorrento - Natural Limestone



Riva2 1050 Sorrento - Graphite Granite

Lining Options

You can customise your Riva2 1050 even further by choosing between two distinctive linings each offering a dramatically different aesthetic for your fire. The classic black reeded option works to contrast and highlight the beautiful flames to their full potential, while the vermiculite lining helps to project a lighter and brighter overall feel for your fire.



Black Reeded Lining



Vermiculite Lining

Remote Control

Riva2 1050 fires come complete with a state-of-the-art programmable Sequential remote control as standard. This allows remote operation of everything from ignition to extinguish as well as the benefits of a programmable timer and thermostat. Should you mislay your handset, the Riva2 1050 also comes complete with a flat Touch Control panel that can be discreetly wall mounted up to 2.5 metres away from the fire, allowing you to ignite, extinguish and control the flame height with ease.



Sequential Remote and Flat Touch Control panel



Riva2 1050 Edge



Riva2 1050 Edge with Vermiculite lining.

For a clean, simple, 'hole in the wall' look, the frameless Edge version of the Riva2 1050 makes an ideal choice for your home. It also offers you all the ambience of a log-effect fire with the effortless ease of gas – especially with a remote control that takes care of everything from ignition to thermostatic regulation of heat output.

The Riva2 1050 is highly efficient too, with radiant heat being emitted from an extensive glass window and convected warmth flowing into the room through high level grilles in the sides of the chimney breast.

The frameless look allows you to create a more minimalist décor, choosing tiles or wall colours and finishes to maximise the overall impression of depth and space. Gazco offers a range of fireplace surround packages to complement the Riva2 Edge fires, which are shown in our separate Fireplace Surround Packages brochure downloadable from www.gazco.com.

Although the Riva2 1050 is available as a balanced flue fire only, it can be installed into a conventional chimney by using the optional Riva2 renovation kit. Details of this can be found on page 130.

Fuel Bed

Logs

Command Controls

Sequential remote



Linings

Vermiculite
Black Reeded

Fire Choices

Chimney Options

Dimensions ^Δ

					w x h (mm)
Riva2 1050 Balanced Flue	82%	7.38kW	X	✓	1142 x 552

† Efficiency figures given are based upon the maximum heat output achieved in the options available for this model, for complete technical information, please see pages 130.

Δ Overall visible dimensions upon installation. For more detailed information, including firebox dimensions, please see pages 130.

Riva2 1050 Icon



Riva2 1050 Icon with Black Reeded lining. Shown with Santiago White fire surround tiles



The landscape proportions of the Riva2 1050 are framed to perfection by the shining surfaces of the new Icon frame.

With a geometric design and broad composition, the Icon has a modern feel that complements the reflective black surfaces of this frame, for a look that is reminiscent of the grace and style of Art Deco chic. Suitable for a wide array of interior decors, the Icon's clean, simple look has versatility and presence and is a fitting surround for this larger-sized gas fire.

Displaying a stunningly realistic log-effect flame with glowing ember bed, the highly efficient Riva2 1050 Icon is an impressive fire that is sure to make a glamorous statement for your home.


- Finish**
Black Glass
- Fuel Bed**
Logs
- Linings**
Vermiculite
Black Reeded
- Command Controls**
Sequential remote



Fire Choices

Chimney Options

Dimensions^Δ

	E ⁻	kW [†]	CF	BF	w x h (mm)
Riva2 1050 Balanced Flue 	82%	7.38kW	X	✓	1533 x 951

[†] Efficiency figures given are based upon the maximum heat output achieved in the options available for this model, for complete technical information, please see pages 130.

^Δ Overall visible dimensions upon installation. For more detailed information, including firebox dimensions, please see page 130.



Riva2 1050 Icon with Vermiculite lining



Riva2 1050 Sorrento



Riva2 1050 Sorrento in Graphite Granite with Black Reeded lining



Riva2 1050 Sorrento in Natural Limestone with Vermiculite lining

If you wish to hearth mount the Riva2 1050 then the superb Sorrento presents the perfect solution. Crafted from natural limestone or graphite granite, the addition of this surround offers you a complete focal point around which to create your very own individual decorative style.

However, the Riva2 is not just about looks. In fact, you can enjoy more than 7kW of warmth at the touch of a button on the remote control – and that’s a wonderful thought on a cold winter’s night!

Finish
Natural Limestone
Graphite Granite

Fuel Bed
Logs

Command Controls
Sequential remote


Linings
Vermiculite
Black Reeded



Fire Choices

Chimney Options

Dimensions^Δ

	E ⁻	kW [†]	CF	BF	w x h (mm)
Riva2 1050 Balanced Flue 	82%	7.38kW	X	✓	1530 x 801

[†] Efficiency figures given are based upon the maximum heat output achieved in the options available for this model, for complete technical information, please see page 130.

^Δ Overall visible dimensions upon installation. For more detailed information, including firebox dimensions, please see page 130.

Riva Fires

The versatile and stylish Riva range has been a favourite with home owners for several years. Each model has its own fire effect, as well as a choice of elegant frame options.



Riva 53 Spectrum

Riva Fire Sizes



Riva 53

This high efficiency model features a superbly distinctive driftwood effect fire. Its design also means that it is suitable for both hearth mounting and 'hole in the wall' installation. Plus there's approximately 5kW of comforting heat for you to enjoy at the turn of a switch.



Riva 53 Spectrum

Riva 67

Available with a wealth of frame designs, the landscape Riva 67 not only offers you a similar heating performance to the Riva 53 but also the choice of a more traditional log-effect fire. You can also boost the heat flow into your room through the optional fan-assisted circulation kit.



Riva 67 Designio

Remote Controls

All gas Riva 53 and Riva 67 models come with manual operation and the option to upgrade to a Standard remote control (allowing you to adjust both the flame height and heat output) or the Programmable remote control (with additional thermostatic and timer functions).



Riva Frame Styles



Riva 67 Esprit - Graphite or Iridium



Riva 67 Avanti - Stainless Steel & Black



Riva 67 Vetro - Black Glass



Riva 67 Designio - Graphite or Iridium



Riva 67 Spectrum - Black with Stainless Steel Inserts



Riva 67 Profil 2 - Graphite or Iridium

Riva 67 Esprit



Riva 67 Esprit in Iridium



Riva 67 Esprit in Graphite



Designed to blend perfectly into today's modern interiors, the Riva 67 Esprit creates not only an impressive focal point at the heart of any contemporary space, but also the power to heat it.

For complete ease, you can operate everything from ignition to extinguish all from the comfort of your armchair with an optional remote control.

Colour Choice

Graphite
Iridium

Fuel Bed

Logs

Optional Command Controls

Left: Standard remote
Right: Programmable remote



Fire Choices

Chimney Options

Dimensions*
w x h (mm)

Riva 67		72%	4.90kW	✓	✗	925 x 684
Riva 67 - Balanced Flue		78%	4.80kW	✗	✓	925 x 684

† Efficiency figures given are based upon the maximum heat output achieved in the options available for this model, for complete technical information, please see pages 131.

Δ Overall visible dimensions upon installation. For more detailed information, including firebox dimensions, please see page 131.

The Riva 67 is compatible with our linerless flue kit for a simplified installation.



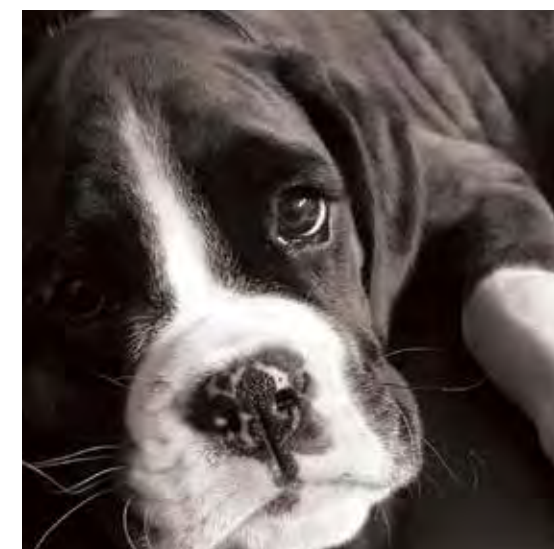
Riva 53 & 67 Avanti



Riva 53 Avanti



Riva 67 Avanti



The stylish Avanti is a superbly efficient convector that is available in two distinctive formats: the 53 and the 67. The 53 features a driftwood-effect fire whilst the landscape 67 has an authentic log-effect fire. All have the built-in comfort of adjustable heat and flame height to exactly suit your mood.

Each model comes complete with a brushed stainless steel front. Whichever your preference, you can be sure the Avanti will provide a striking focal point at the very heart of your home.

Finish

Stainless Steel/Black

Frame Styles

Vertical Curve (53)
Horizontal Curve (67)

Fuel Beds

Driftwood Logs (53)
Logs (67)

Optional Command Controls

Left: Standard remote
Right: Programmable remote



Fire Choices

Chimney Options

Dimensions*
w x h (mm)

Riva 53		72%	4.90kW	✓	✗	650 x 819
Riva 53 - Balanced Flue		78%	5.30kW	✗	✓	650 x 819
Riva 67		72%	4.90kW	✓	✗	825 x 699
Riva 67 - Balanced Flue		78%	4.80kW	✗	✓	825 x 699

† Efficiency figures given are based upon the maximum heat output achieved in the options available for this model, for complete technical information, please see page 131.

Δ Overall visible dimensions upon installation. For more detailed information, including firebox dimensions, please see page 131.

The Riva 67 is compatible with our linerless flue kit for a simplified installation.





Riva 53 & 67 Spectrum



The Riva Spectrum combines a bold frame design with the superb heating efficiency that the Glass Fronted Riva range offers.

Available in a landscape 67 size complete with realistic log-effect fire, or in the portrait 53 size that features an authentic driftwood log fire. Whatever your choice, the Spectrum's stylish black frame with polished steel highlights will be sure to impress.

Finish
Black with
Stainless Inserts

Fuel Beds
Driftwood Logs (53)
Logs (67)

Optional Command Controls
Left: Standard remote
Right: Programmable remote



Fire Choices

Chimney Options Dimensions^Δ w x h (mm)

Riva 53		72%	4.90kW	✓	✗	760 x 729
Riva 53 - Balanced Flue		78%	5.30kW	✗	✓	760 x 729
Riva 67		72%	4.90kW	✓	✗	880 x 590
Riva 67 - Balanced Flue		78%	4.80kW	✗	✓	880 x 590

† Efficiency figures given are based upon the maximum heat output achieved in the options available for this model, for complete technical information, please see page 131.

Δ Overall visible dimensions upon installation. For more detailed information, including firebox dimensions, please see page 131.

The Riva 67 is compatible with our linerless flue kit for a simplified installation.

Riva 53 & 67 Designio



Riva 53 Designio in Graphite



Riva 67 Designio in Graphite



A design statement in its own right, the Glass Fronted Designio has the style to appeal to the widest range of contemporary interiors - and a performance to match. The realistic gas fires (driftwood for the 53 and logs for the 67) are teamed with an exceptionally efficient convection system that produces up to 5.3kW of heat which can be controlled from a choice of optional remote controls.

Finishes

Graphite
Iridium

Fuel Beds

Driftwood Logs (53)
Logs (67)

Optional Command Controls

Left: Standard remote
Right: Programmable remote



Fire Choices

Chimney Options Dimensions^Δ w x h (mm)

		E _v	kW †	CF	BF	
Riva 53	⊗	72%	4.90kW	✓	✗	650 x 735
Riva 53 - Balanced Flue	⊗	78%	5.30kW	✗	✓	650 x 735
Riva 67	⊗	72%	4.90kW	✓	✗	775 x 603
Riva 67 - Balanced Flue	⊗	75%	4.80kW	✗	✓	775 x 603

† Efficiency figures given are based upon the maximum heat output achieved in the options available for this model, for complete technical information, please see page 131.

Δ Overall visible dimensions upon installation. For more detailed information, including firebox dimensions, please see page 131.

The Riva 67 is compatible with our linerless flue kit for a simplified installation.



Riva 67 Designio in Iridium



Riva 67 Vetro



Riva 67 Vetro



Riva 67 Vetro

Style abounds in the shape of the Riva Vetro. Its widescreen appearance and realistic log-effect fire provide the ultimate centrepiece for your living space. The impressive sleek black glass accentuates the flickering flame picture to the full and is sure to make a designer statement in your home, even when the fire is turned off!

Colour Choice
Black glass

Fuel Bed
Logs

Optional Command Controls
Left: Standard remote
Right: Programmable remote



Fire Choices

Chimney Options Dimensions^Δ w x h (mm)

		E-	kW [†]	CF	BF	
Riva 67		72%	4.90kW	✓	✗	1052 x 650
Riva 67 - Balanced Flue		78%	4.80kW	✗	✓	1052 x 650

[†] Efficiency figures given are based upon the maximum heat output achieved in the options available for this model, for complete technical information, please see page 131.

^Δ Overall visible dimensions upon installation. For more detailed information, including firebox dimensions, please see page 131.

The Riva 67 is compatible with our linerless flue kit for a simplified installation.

Riva 53 & 67 Profil 2



Riva 67 Profil 2 in Iridium



Riva 67 Profil 2 in Graphite



Whether part of a standard fireplace or as a 'hole in the wall' installation, the two stylish Riva Profil 2 models both feature the glow and flames of a highly realistic gas log fire. This provides not only a remarkable focal point for your room but an effective heating appliance as well. To maximise your décor options, the Profil 2 frame is available in two outstanding finishes: Graphite or Iridium.

Finishes

Graphite
Iridium

Fuel Beds

Driftwood Logs (53)
Logs (67)

Optional Command Controls

Left: Standard remote
Right: Programmable remote



Fire Choices

Chimney Options Dimensions*

		E _v	kW †	CF	BF	w x h (mm)
Riva 53		72%	4.90kW	✓	✗	590 x 729
Riva 53 - Balanced Flue		78%	5.30kW	✗	✓	590 x 729
Riva 67		72%	4.90kW	✓	✗	710 x 590
Riva 67 - Balanced Flue		78%	4.80kW	✗	✓	710 x 590

† Efficiency figures given are based upon the maximum heat output achieved in the options available for this model, for complete technical information, please see page 131.

Δ Overall visible dimensions upon installation. For more detailed information, including firebox dimensions, please see page 131.

The Riva 67 is compatible with our linerless flue kit for a simplified installation.



Riva 53 Profil 2 in Iridium with Pembroke Mantel available from Stovax



Gas F67 Riva Stoves



Gas F67 Riva Bench



Gas F67 Riva Pedestal

For those who would like to combine all the benefits of a Riva with the look of a stove, Gazco's F67 Riva range is the answer for you. Available hearth-mounted or mounted on a bench or pedestal, the F67 offers an incredibly stylish solution.

For more details please see our Gazco Stoves brochure or go online and visit the Gas Stoves section at www.gazco.com.

Finish
Black with
Stainless Steel Inserts

Fuel Bed
Logs

Optional Command Controls
Left: Standard remote
Right: Programmable remote



Fire Choices

Chimney Options

Riva 67	72%	4.90kW	✓	✗
Riva 67 - Balanced Flue	78%	4.80kW	✗	✓

† Efficiency figures given are based upon the maximum heat output achieved in the options available for this model.

For complete product and technical information, please see the Gazco Gas & Electric Stoves brochure, alternatively you can scan this QR code or visit www.gazco.com



Linea Fires

In addition to the extensive Studio, Riva2 and Riva ranges, we also have the truly unique Linea. This thoroughly modern approach to fire design offers a dramatic chorus of vertical flames, strikingly offset against a pure black background. With Sequential remote included, the inspirational Linea offers the ultimate in operational simplicity.



Linea Steel



Linea Steel in Ivory



Linea Steel in Iridium

Inspirational! What other description can there be for Gazco's impressive Linea Steel?

With its thoroughly modern lines and slim profile, this steel and glass-fronted fire complements the most contemporary of interiors, plus there's up-to-the-minute technology to match. Not only is the Linea Steel a highly efficient fire but it also offers the complete operation of all its functions through Gazco's programmable Sequential remote control. There are also six frame colours available - please see pages 46-47.

Finishes

- Graphite
- Iridium
- Metallic Red
- Metallic Blue
- Metallic Bronze
- Ivory

Command Controls

Sequential remote



Fire Choices

Fire Choice	Chimney Options				Dimensions ^Δ
	E ⁻	kW [†]	CF	BF	w x h (mm)
Linea Steel Balanced Flue	<input checked="" type="checkbox"/>	82%	4.30kW	<input checked="" type="checkbox"/>	1050 x 650

[†] Efficiency figures given are based upon the maximum heat output achieved in the options available for this model, for complete technical information, please see page 132

^Δ Overall visible dimensions upon installation. For more detailed information, including firebox dimensions, please see page 132.

Linea Designio



Linea Designio in Graphite



Linea Designio in Iridium



There are some things in life with an allure that is immediate and obvious. With its slimline frame and unique visual effect the Linea Designio is one such object. In fact, it's just like having a live action work of modern art on your wall, with beautifully choreographed flames set against a background of pure black.

Operation is simplicity itself too. Gazco's Sequential remote control takes care of everything from ignition to the thermostatic regulation of heat output.

Finishes

Graphite
Iridium

Command Controls

Sequential remote



Fire Choices

Chimney Options Dimensions^Δ

					w x h (mm)	
Linea Designio Balanced Flue		82%	4.30kW	X	✓	775 x 620

† Efficiency figures given are based upon the maximum heat output achieved in the options available for this model, for complete technical information, please see page 132.

Δ Overall visible dimensions upon installation. For more detailed information, including firebox dimensions, please see page 132.





Linea Vetro



Linea Vetro in Black Glass



Linea Vetro in Black Glass

The ultra-contemporary Linea Vetro is a sleek and stylish fire that is at the cutting edge of heating efficiency. The flame effect is unique too, offering an attractive display of moving colour that both fascinates and delights, while the very latest Sequential remote control operates everything from ignition to heat output.

Make your design statement with the outstanding Linea and let the smooth simplicity of sparkling glass create a stylish effect in your contemporary living room.

Finishes
Black Glass

Command Controls
Sequential remote



Fire Choices

Fire Choices	Chimney Options				Dimensions ^Δ
	E [†]	kW [†]	CF	BF	w x h (mm)
Linea Vetro Balanced Flue	82%	4.30kW	X	✓	1050 x 650

[†] Efficiency figures given are based upon the maximum heat output achieved in the options available for this model, for complete technical information, please see page 132.

^Δ Overall visible dimensions upon installation. For more detailed information, including firebox dimensions, please see page 132.

Gazco Inset Fires



Logic™ HE with Polished Chrome-effect Spanish front and Polished Steel-effect Box Profil2 frame



E-Studio™ Futura



Logic™ HE with Highlight Polished Arts front and Matt Black Box Profil2 frame

Designed to warm the very heart of your home, there is nothing like the ambience created by a Gazco Inset fire. It's a natural focal point around which family and friends will intuitively gather and brings you the promise of a cosy comfort throughout those long winter nights; even if you don't have a chimney!

Choose from a range of either hearth or wall mounted gas fires utilising advanced technology to create a wonderful flame picture, impressive performance and high efficiency heating when you opt for one of Gazco's E-Box™, E-Studio™ or Logic HE fires. Depending on the model you can enjoy either an exquisite coal, white stone or pebble fuel effect for your fire, finished with your choice of frame or front from a wide style selection.

Whether you want to achieve an up-to-the-minute, contemporary look or have your heart set on a more traditionally designed fire, you will find a choice of flame effects and elegant frame options to suit your decorative style and budget.

Each model has been specially developed with ease of installation in mind, giving you excellent value for money through reduced fitting costs – and in most cases, you do not have to have a wall or floor vent installed either.

For more information, or to view our complete range of Gas & Electric fires and stoves, simply visit www.gazco.com and choose the perfect fireplace for a warm welcome home, every time.

To view the Gazco Inset Fires brochure, simply scan this QR code, visit www.gazco.com or speak to your local Gazco retailer.





E-Box™ coal-effect fire with Brushed Stainless Tempo front with Brompton mantel available from Stovax.

Have you considered Electric?



Studio Electric 1 Evolve in Walnut with Polished Steel Infills



Studio Electric Inset 105



Riva2 Electric 70 with Victorian Corbel mantel in Natural Limestone

In addition to the wide selection of gas fires shown in this brochure, Gazco also offers an extensive array of electric fires in a separate dedicated brochure.

Using the latest Flame-effect technology, Gazco has created a beautiful range of fires and stoves that provide a versatile and stunning focal point for any home - all without the need for a chimney!

With hang-on-the wall, hearth mounted and frameless fires alongside a wide selection of contemporary frames and matching classic stone mantels; Gazco's exciting new electric range has it all.



Whether you want to achieve a modern contemporary look or a more classic, traditional interior, the Gazco Electric Fires and Stoves brochure has the perfect solution whatever your style or budget.

To view the Gazco Electric Fires & Stoves brochure, simply scan this QR code, visit www.gazco.com or speak to your local Gazco retailer.





Technical Information

The following pages provide the dimensional, heat input/output, efficiency and product code information you will need to choose your new Gazco fire. For more detailed specifications, please consult your Gazco retailer. Complete installation instructions may be downloaded from www.gazco.com.

Studio 1, 2 & 3 Fire Information

OPEN FRONTED FIRES

Product Code	Description	Flue Type	Gas Type	Fuel Effect	Heat Input	Heat Output	Efficiency	Remote Control	Lining
⊗ 8700CHEC	Studio 1	Conventional	Nat. Gas	White Stones	6.90kW	1.72kW	25%	Sequential	N/A
⊗ P8700CHEC	Studio 1	Conventional	LPG	White Stones	6.90kW	1.72kW	25%	Sequential	N/A
8701CHEC	Studio 2	Conventional	Nat. Gas	White Stones	8.80kW	2.20kW	25%	Sequential	N/A
P8701CHEC	Studio 2	Conventional	LPG	White Stones	9.30kW	2.30kW	25%	Sequential	N/A
8702CHEC	Studio 3	Conventional	Nat. Gas	White Stones	13.20kW	3.30kW	25%	Sequential	N/A
P8702CHEC	Studio 3	Conventional	LPG	White Stones	13.70kW	3.40kW	25%	Sequential	N/A

GLASS FRONTED FIRES

⊗ 123-041	Studio 1	Conventional	Nat. Gas	White Stones	6.90kW	4.85kW	70%	Thermostatic	Enamelled Black
⊗ 123-478	Studio 1	Conventional	LPG	White Stones	6.90kW	4.85kW	70%	Thermostatic	Enamelled Black
⊗ 123-309	Studio 1	Balanced flue	Nat. Gas	White Stones	6.30kW	5.10kW	81%	Thermostatic	Enamelled Black
⊗ 123-558	Studio 1	Balanced flue	LPG	White Stones	6.10kW	4.95kW	81%	Thermostatic	Enamelled Black
⊗ 123-009	Studio 1	Conventional	Nat. Gas	Logs	6.70kW	4.70kW	70%	Thermostatic	Vermiculite
⊗ 123-595	Studio 1	Conventional	LPG	Logs	6.90kW	4.83kW	70%	Thermostatic	Vermiculite
⊗ 123-203	Studio 1	Conventional	Nat. Gas	Logs	6.70kW	4.70kW	70%	Thermostatic	Black Reeded
⊗ 123-542	Studio 1	Conventional	LPG	Logs	6.90kW	4.83kW	70%	Thermostatic	Black Reeded
⊗ 123-180	Studio 1	Balanced flue	Nat. Gas	Logs	6.40kW	5.20kW	81%	Thermostatic	Vermiculite
⊗ 123-621	Studio 1	Balanced flue	LPG	Logs	6.30kW	5.10kW	81%	Thermostatic	Vermiculite
⊗ 123-018	Studio 1	Balanced flue	Nat. Gas	Logs	6.40kW	5.20kW	81%	Thermostatic	Black Reeded
⊗ 123-437	Studio 1	Balanced flue	LPG	Logs	6.30kW	5.10kW	81%	Thermostatic	Black Reeded
123-216	Studio 2	Conventional	Nat. Gas	White Stones	8.30kW	6.50kW	78%	Thermostatic	Enamelled Black
123-790	Studio 2	Conventional	LPG	White Stones	8.30kW	6.50kW	78%	Thermostatic	Enamelled Black
⊗ 123-162	Studio 2	Balanced flue	Nat. Gas	White Stones	8.40kW	6.80kW	81%	Thermostatic	Enamelled Black
⊗ 123-676	Studio 2	Balanced flue	LPG	White Stones	7.30kW	5.92kW	81%	Thermostatic	Enamelled Black
123-147	Studio 2	Conventional	Nat. Gas	Logs	8.50kW	6.65kW	78%	Thermostatic	Vermiculite
123-668	Studio 2	Conventional	LPG	Logs	8.80kW	6.85kW	78%	Thermostatic	Vermiculite
123-076	Studio 2	Conventional	Nat. Gas	Logs	8.50kW	6.65kW	78%	Thermostatic	Black Reeded
123-769	Studio 2	Conventional	LPG	Logs	8.80kW	6.85kW	78%	Thermostatic	Black Reeded
⊗ 123-228	Studio 2	Balanced flue	Nat. Gas	Logs	8.60kW	7.00kW	81%	Thermostatic	Vermiculite
⊗ 123-713	Studio 2	Balanced flue	LPG	Logs	8.00kW	6.50kW	81%	Thermostatic	Vermiculite
⊗ 123-252	Studio 2	Balanced flue	Nat. Gas	Logs	8.60kW	7.00kW	81%	Thermostatic	Black Reeded
⊗ 123-682	Studio 2	Balanced flue	LPG	Logs	8.00kW	6.50kW	81%	Thermostatic	Black Reeded
⊗ 123-032	Studio 3	Balanced flue	Nat. Gas	White Stones	9.00kW	7.30kW	81%	Thermostatic	Enamelled Black
⊗ 123-514	Studio 3	Balanced flue	LPG	White Stones	9.00kW	7.30kW	81%	Thermostatic	Enamelled Black
⊗ 123-393	Studio 3	Balanced flue	Nat. Gas	Logs	9.00kW	7.30kW	81%	Thermostatic	Vermiculite
⊗ 123-446	Studio 3	Balanced flue	LPG	Logs	9.00kW	7.30kW	81%	Thermostatic	Vermiculite
⊗ 123-047	Studio 3	Balanced flue	Nat. Gas	Logs	9.00kW	7.30kW	81%	Thermostatic	Black Reeded
⊗ 123-649	Studio 3	Balanced flue	LPG	Logs	9.00kW	7.30kW	81%	Thermostatic	Black Reeded



Installing Televisions above Open Fronted Studio Fires

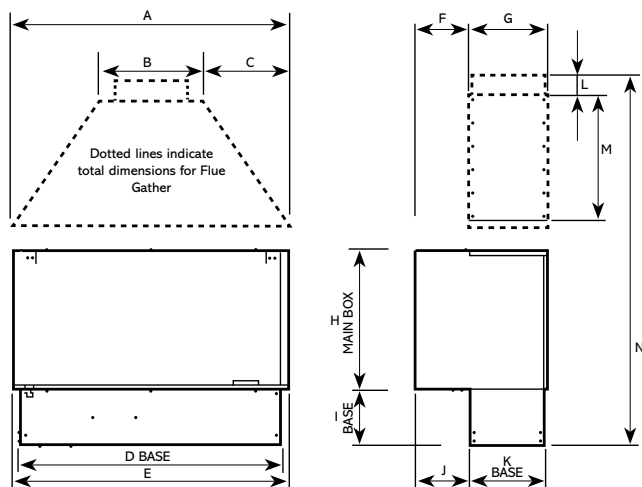
On a normal flue which is functioning correctly, Open Fronted Studios do not create a particularly hot environment on the wall above where they are installed. Therefore, it may be possible to install Plasma or LCD TV's above them, as long as the distance to the TV is a minimum of 450mm from the top of the fire and as long as it has been checked with the TV manufacturer's installation instructions with regard to installation and heat proximity. If in doubt please contact and check with your TV manufacturer.

Glass Fronted Studio Fires Gazco does not recommend installation of televisions above Glass Fronted Studio fires.

Studio 1, 2 & 3 Fire Information (continued)

Additional Information For Open Fronted Studio Fires (mm)

Appliance dimensions (mm)



Dimension		Studio 1	Studio 2	Studio 3
A	Gather width	664	864	1254
B	Gather top	250	250	325
C	Gather taper	207	307	465
D	Base width	635	835	1225
E**	Box width	660	860	1250
F	Max. lintel width	130	130	130
G	Gather depth	187	187	187
H**	Box height	334	334	334
I*	Base height	133	133	133
J	Base depth	130	130	130
K	Base	182	182	182
L	Spigot height	50	50	50
M	Gather height	300	300	700
N	Total height	817	817	1217

* adjustable feet can increase base height by up to 235 mm

** If installed with one of the Studio frames, a 5mm space must be left around the front edge of the appliance.

CHIMNEY TYPES

Studio 1

- **Class 1 brick built flue**

- Can be fitted without the optional flue gather if the chimney is sound.
- If the optional gather is used, then it must be connected to a 7" flexible flue liner suitable for gas.

- **Pre-fabricated 7" twin wall flue system suitable for gas**

- Must be fitted with the optional flue gather.

Studio 2 and 3

- **Class 1 brick built flue**

- Must be fitted with the flue gather.

- **Pre-fabricated 7" twin wall flue system suitable for gas**

- Must be fitted with the flue gather.

Note: it is possible to install the Studio 2 and 3 into a Class 1 brick flue. However, this type of installation should only be undertaken by chimney specialists. This is because it will require the front wall and structure of the chimney breast to be extensively cut away to allow enough width to fit the fire and also provide access to the top of the gather to allow either -

- Connection of a 7" flexible flue liner suitable for gas
- Creation of a smooth transition between the top of the gather and the flue

Please note that carbon/soot deposits may be visible on inner back wall of the Open Fronted Studio fires due to variances in performance of flue systems, particularly in different prevailing weather conditions

Additional Information For Glass Fronted Studio Fires (mm)

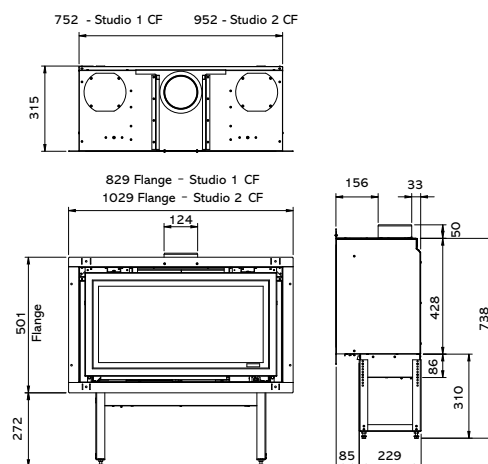
Conventional Flue Installation

The conventionally flued Glass Fronted Studio has been designed with ease of installation in mind and can be installed two ways:

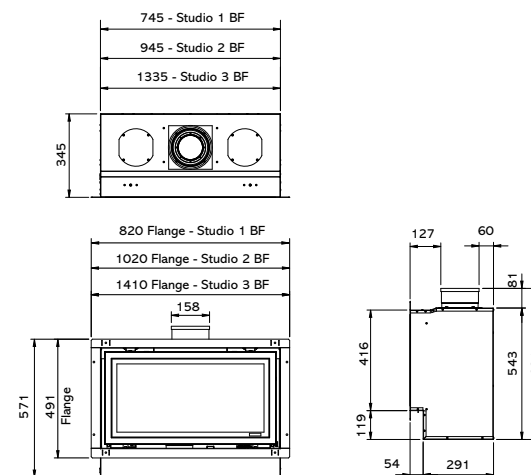
- 1) Direct connection to a 5" flue liner or 5" twin wall gas vent system
- 2) No additional fluing is needed when it is installed into an existing builders opening below a masonry chimney and sealed to the fireplace opening (assuming that the chimney is of sound construction).

* For more Balanced Flue information and options please refer to our Concentric Flue System brochure which can be viewed or downloaded online at www.gazco.com

Conventional Flue



Balanced Flue*



Studio 1, 2 & 3 Frame Information

Description	Frame Finish	Open Fronted Product Code	Frame Size (mm)			Glass Fronted CF Product Code	Frame Size (mm)			Glass Fronted BF Product Code	Frame Size (mm)		
			w	h	d		w	h	d		w	h	d
STUDIO 1													
Bauhaus	Anthracite	8711AN	764	439	28	8711CFAN01	860	534	28	8711BFAN01	850	524	28
Bauhaus	Polished Stainless Steel	8711P	764	439	28	8711CFSS01	860	534	28	8711BFSS01	850	524	28
Profil	Anthracite	8710AN	750	426	13	8710CFAN01	846	520	13	8710BFAN01	836	510	13
Profil	Polished Stainless Steel	8710P	750	426	13	8710CFSS01	846	520	13	8710BFSS01	836	510	13
Steel 2	Graphite	923-486	1118	478	13	923-883	1264	528	27	923-883	1264	528	27
Steel 2	Iridium	923-063	1118	478	13	923-684	1264	528	27	923-684	1264	528	27
Expression Steel	Graphite	-	N/A	N/A	N/A	923-546	950	624	40	923-656	940	614	40
Verve	Graphite	923-437	1264	528	54	923-300	1264	528	53	923-300	1264	528	53
Glass	Black Glass	923-022	1264	528	17	923-628	1264	528	29	923-628	1264	528	29
Andes	Oak/Walnut	8723KW	1332	497	21	-	N/A	N/A	N/A	-	N/A	N/A	N/A
Inca	Walnut Quarters	8723WQ	1200	559	27	-	N/A	N/A	N/A	-	N/A	N/A	N/A
Kepler	Solid Walnut	8723SW	1332	497	27	-	N/A	N/A	N/A	-	N/A	N/A	N/A
Firenza	Black Granite	8723GBK	1200	600	20	-	N/A	N/A	N/A	-	N/A	N/A	N/A
Pienza	White Limestone	8723LMS	1200	600	20	-	N/A	N/A	N/A	-	N/A	N/A	N/A
Sienna	Beige Travertine	8723TRV	1200	600	20	-	N/A	N/A	N/A	-	N/A	N/A	N/A

STUDIO 2

Bauhaus	Anthracite	8718AN	964	439	28	8718CFAN02	1060	534	28	8718BFAN02	1050	524	28
Bauhaus	Polished Stainless Steel	8718P	964	439	28	8718CFSS02	1060	534	28	8718BFSS02	1050	524	28
Profil	Anthracite	8717AN	950	426	13	8717CFAN02	1046	520	13	8717BFAN02	1036	510	13
Profil	Polished Stainless Steel	8717P	950	426	13	8717CFSS02	1046	520	13	8717BFSS02	1036	510	13
Steel 2	Graphite	923-738	1354	508	13	923-556	1500	528	27	923-556	1500	528	27
Steel 2	Iridium	923-109	1354	508	13	923-572	1500	528	27	923-572	1500	528	27
Expression Steel	Graphite	-	N/A	N/A	N/A	923-574	1150	624	40	923-709	1140	614	40
Verve	Graphite	923-542	1500	528	54	923-514	1500	528	53	923-514	1500	528	53
Glass	Black Glass	923-135	1500	528	17	923-535	1500	528	29	923-535	1500	528	29
Andes	Oak/Walnut	8724KW	1532	497	21	-	N/A	N/A	N/A	-	N/A	N/A	N/A
Inca	Walnut Quarters	8724WQ	1400	559	27	-	N/A	N/A	N/A	-	N/A	N/A	N/A
Kepler	Solid Walnut	8724SW	1532	497	27	-	N/A	N/A	N/A	-	N/A	N/A	N/A
Firenza	Black Granite	8724GBK	1500	600	20	-	N/A	N/A	N/A	-	N/A	N/A	N/A
Pienza	White Limestone	8724LMS	1500	600	20	-	N/A	N/A	N/A	-	N/A	N/A	N/A
Sienna	Beige Travertine	8724TRV	1500	600	20	-	N/A	N/A	N/A	-	N/A	N/A	N/A

STUDIO 3

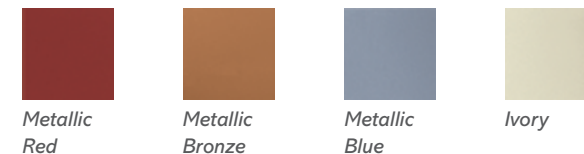
Bauhaus	Anthracite	8721AN	1354	439	28	-	N/A	N/A	N/A	8721BFAN03	1440	524	28
Bauhaus	Polished Stainless Steel	8721P	1354	439	28	-	N/A	N/A	N/A	8721BFSS03	1440	524	28
Profil	Anthracite	8720AN	1340	426	13	-	N/A	N/A	N/A	8720BFAN03	1426	510	13
Profil	Polished Stainless Steel	8720P	1340	426	13	-	N/A	N/A	N/A	8720BFSS03	1426	510	13
Steel 2	Graphite	923-154	1844	528	13	-	N/A	N/A	N/A	923-008	1990	528	27
Steel 2	Iridium	923-286	1844	528	13	-	N/A	N/A	N/A	923-405	1990	528	27
Expression Steel	Graphite	-	N/A	N/A	N/A	-	N/A	N/A	N/A	923-753	1530	614	40
Verve	Graphite	923-355	1990	528	54	-	N/A	N/A	N/A	923-729	1990	528	53
Glass	Black Glass	923-591	1990	528	17	-	N/A	N/A	N/A	923-084	1990	528	29

Studio Frame Colour Supplements



A choice of four colours is available to choose from on Studio Profil and Bauhaus Anthracite Fronts and Steel 2, Expression Steel and Verve Graphite fronts (see pages 46-47), these are: Metallic Red, Metallic Blue, Metallic Bronze and Ivory. Please use the product code provided with the following suffix for your choice of colour: **Metallic Red (RD)**, **Metallic Blue (BL)**, **Metallic Bronze (BZ)** and **Ivory (IV)**.

- for example: Studio 1 Open Fronted Profil in Metallic Blue = 8710ANBL



Studio 1, 2 & 3 Options & Accessories

OPEN FRONTED STUDIO FIRES

Product Code	Description
STUDIO 1	
8714GBK	Black Granite linings
8713	Flue gather*
STUDIO 2	
8715GBK	Black Granite linings
STUDIO 3	
8716GBK	Black Granite linings

* Flue gather automatically included with Open Fronted Studio 2 & 3 Fires.

GLASS FRONTED STUDIO FIRES

Product Code	Description
8572	Warm air ducting kit (2 outlets)
8524	Balanced flue kit - vertical †
999-530	Thermostatic system mains adaptor

STUDIO 1	
8727CFEK01	Edge fitting kit for conventional flue
8727BFEK01	Edge fitting kit for balanced flue †
8727CFCW01	Cool Wall fitting kit for conventional flue
8727BFCW01	Cool Wall fitting kit for balanced flue †
8534	Balanced flue kit - up and out †
923-517	Black reed lining set for conventional flue ‡
923-607	Black reed lining set for balanced flue ‡

STUDIO 2	
8727CFEK02	Edge fitting kit for conventional flue
8727BFEK02	Edge fitting kit for balanced flue †
8727CFCW02	Cool Wall fitting kit for conventional flue
8727BFCW02	Cool Wall fitting kit for balanced flue †
8509	Balanced flue kit - up and out †
923-744	Black reed lining set for conventional flue ‡
923-476	Black reed lining set for balanced flue ‡

STUDIO 3	
8727BFEK03	Edge fitting kit for balanced flue †
8727BFCW03	Cool Wall fitting kit for balanced flue †
8567	Balanced flue kit - up and out †
923-381	Black reed lining set for balanced flue ‡

† For more Balanced Flue information and options please refer to our Concentric Flue System brochure which can be viewed or downloaded online at www.gazco.com

‡ Available as an upgrade to Studio fires with a log effect fuel bed

UPGRADABLE GLASS BEAD FUEL EFFECTS ◊

Product Code	Description
STUDIO 1 - OPEN & GLASS FRONTED	
923-797	Clear glass fuel effect upgrade
923-735	Black glass fuel effect upgrade
923-746	Red glass fuel effect upgrade**
STUDIO 2 - OPEN & GLASS FRONTED	
923-751	Clear glass fuel effect upgrade
923-760	Black glass fuel effect upgrade
923-724	Red glass fuel effect upgrade**
STUDIO 3 - OPEN & GLASS FRONTED	
923-718	Clear glass fuel effect upgrade
923-706	Black glass fuel effect upgrade
923-739	Red glass fuel effect upgrade**



◊ The Glass Bead fuel options are available as a retro-fit solution to replace and enliven any White Stone Studio fires if desired.

** Please note: the red glass bead fuel effect transforms into a rich dark burgandy when the fire is on.

Studio Edge & Cool Wall Kits

Available for Glass Fronted Studio fires

Edge Kit

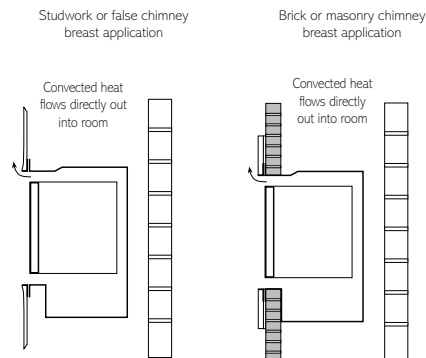
This kit is screw-mounted to the front flange of the outer firebox. The L-shaped attachments can either provide a 20mm return against which high temperature plasterboard/screed can be butted up for the 'clean edge' look or, if the firebox flange is on the outside of a brick or studwork wall, allow ceramic or stone tiles to be fixed with a similar look. The Edge Kit is finished in black to complement the Studio.

Cool Wall Kit

Again, screw-mounted to the front flange of the outer firebox, the 60mm deep U-shaped attachments of the Cool Wall kit are designed primarily for studwork false chimney breasts. The additional depth allows some of the heat to be vented up into the void above the firebox and then re-enter the room at a higher level. The effect is to produce a cooler wall immediately above the appliance than would otherwise be the case. The Cool Wall Kit is left unfinished so that it can be painted to match the front face of your fireplace.

Edge Kit

Installation method for:

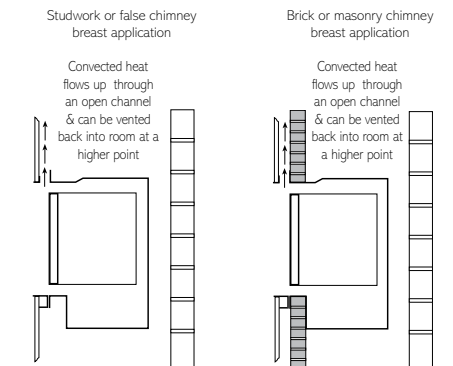


When using the Edge Kit the fire is recessed by 20mm from the finished wall surface and the kit is finished in black to complement the Studio.

NB: When using the Edge Kit, heat resistant board and high temperature finishing plaster must be used. Please refer to installation instructions for full details.

Cool Wall Kit

Installation method for:



When using the Cool Wall Kit the fire is recessed by 60mm from the finished wall surface and the kit is left unfinished so that it can be painted to match your decor.

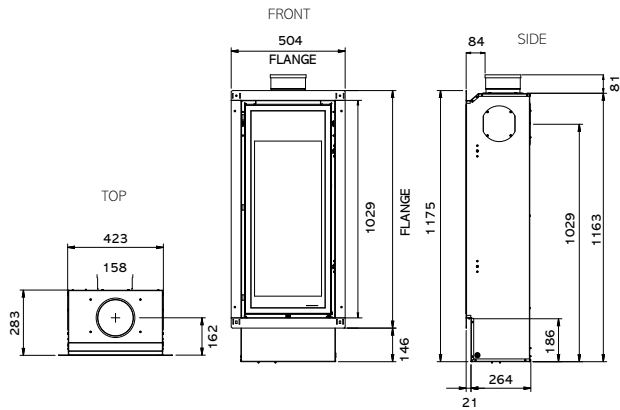
NB: Full installation information, including the requirement for the use of non-combustible materials, can be downloaded from www.gazco.com

Studio 22 Fires

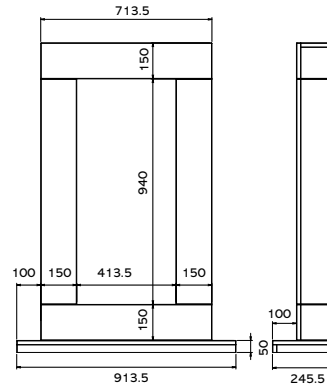
FIRE INFORMATION

Product Code	Flue Type	Gas Type	Fuel Effect	Heat Input	Heat Output	Efficiency	Remote Control	Lining
⊗ 123-015	Balanced flue	Nat. Gas	Logs	7.50kW	5.85kW	78%	Thermostatic	Vermiculite
⊗ 123-470	Balanced flue	LPG	Logs	7.00kW	5.46kW	78%	Thermostatic	Vermiculite

STUDIO 22 DIMENSIONS (mm)



SORRENTO DIMENSIONS (mm)



FRAME INFORMATION

Description	Frame Finish	Product Code	Frame Size (mm)		
			w	h	d
Bauhaus	Anthracite	8728BFAN22	524	1050	28
Bauhaus	Polished Stainless	8728BFSS22	524	1050	28
Profil	Anthracite	8726BFAN22	510	1036	13
Profil	Polished Stainless	8726BFSS22	510	1036	13
Steel 2	Graphite	8729BFGP22	675	1320	13
Steel 2	Iridium	8729BFIR22	675	1320	13
Expression Steel	Graphite	923-786	614	1140	40
Verve	Graphite	923-012	676	1320	51
Sorrento*	Natural Limestone	923-198	914	1290	246
Sorrento*	Graphite Granite	923-180	914	1290	246

* Where the Studio 22 is fitted with a Sorrento surround the fire may only be installed using the rear flue exit.

† For more Balanced Flue information and options please refer to our Concentric Flue System brochure which can be viewed or downloaded online at www.gazco.com

A choice of 4 colours is available to choose from on Studio Profil & Bauhaus Anthracite Fronts & Steel 2, Expression Steel & Verve Graphite fronts (see pages 46-47), these are: Metallic Red, Metallic Blue, Metallic Bronze & Ivory. Please use the product code provided with the following suffix for your choice of colour: Metallic Red (RD), Metallic Blue (BL), Metallic Bronze (BZ) & Ivory (IV) - for example: Studio 22 Glass Fronted Verve in Metallic Blue = 923-012BL

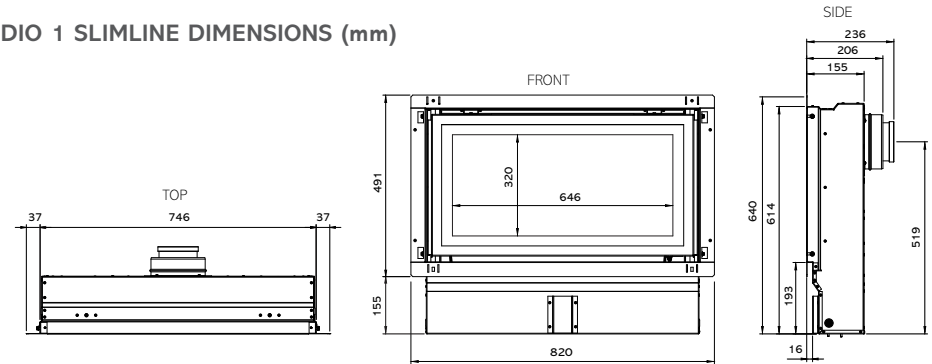
Studio 1 Slimline Fires

The Studio 1 Slimline comes complete with rear exit balanced flue termination kit (8526SL) included.

FIRE INFORMATION

Product Code	Flue Type	Gas Type	Fuel Effect	Heat Input	Heat Output	Efficiency	Remote Control	Lining
⊗ 123-022	Balanced flue	Nat. Gas	Logs	5.2kW	4.3kW	82%	Thermostatic	Vermiculite
⊗ 123-691	Balanced flue	LPG	Logs	5.1kW	4.2kW	82%	Thermostatic	Vermiculite
⊗ 123-126	Balanced flue	Nat. Gas	White Stones	5.2kW	4.3kW	82%	Thermostatic	Vermiculite
⊗ 123-756	Balanced flue	LPG	White Stones	5.1kW	4.2kW	82%	Thermostatic	Vermiculite
⊗ 123-169	Balanced flue	Nat. Gas	Logs	5.2kW	4.3kW	82%	Thermostatic	Black Reed
⊗ 123-504	Balanced flue	LPG	Logs	5.1kW	4.2kW	82%	Thermostatic	Black Reed
⊗ 123-375	Balanced flue	Nat. Gas	White Stones	5.2kW	4.3kW	82%	Thermostatic	Black Reed
⊗ 123-460	Balanced flue	LPG	White Stones	5.1kW	4.2kW	82%	Thermostatic	Black Reed
⊗ 123-353	Balanced flue	Nat. Gas	Logs	5.2kW	4.3kW	82%	Thermostatic	Brick Effect
⊗ 123-432	Balanced flue	LPG	Logs	5.1kW	4.2kW	82%	Thermostatic	Brick Effect
⊗ 123-266	Balanced flue	Nat. Gas	White Stones	5.2kW	4.3kW	82%	Thermostatic	Brick Effect
⊗ 123-497	Balanced flue	LPG	White Stones	5.1kW	4.2kW	82%	Thermostatic	Brick Effect

STUDIO 1 SLIMLINE DIMENSIONS (mm)



FRAME INFORMATION

Frame	Frame Finish	Product Code	Frame Size (mm)		
			w	h	d
Bauhaus	Anthracite	8711BFAN01	850	524	28
Bauhaus	Polished Stainless	8711BFSS01	850	524	28
Profil	Anthracite	8710BFAN01	836	510	13
Profil	Polished Stainless	8710BFSS01	836	510	13
Steel 2	Graphite	923-883	1264	528	30
Steel 2	Iridium	923-684	1264	528	30
Expression Steel	Graphite	923-656	940	614	40
Verve	Graphite	923-300	1264	528	56
Glass	Black Glass	923-628	1264	528	33.5

STUDIO 1 SLIMLINE OPTIONS

Product Code	Description
8727BFEK01	Edge fitting kit for BF †
8727BFCW01	Cool Wall fitting kit for BF †
923-733	Slimline - Vermiculite Lining Set ‡
923-826	Slimline - Black Reed Lining Set ‡
923-765	Slimline - Brick Effect Lining Set ‡
923-774	Clear glass fuel effect upgrade ◊
923-788	Black glass fuel effect upgrade ◊
923-792	Red glass fuel effect upgrade ◊
999-530	Thermostatic system mains adaptor

◊ Available as a retro-fit solution to replace and enliven any White Stone Studio fires. Please note: the red glass bead fuel effect transforms into a rich dark burgandy when the fire is on.

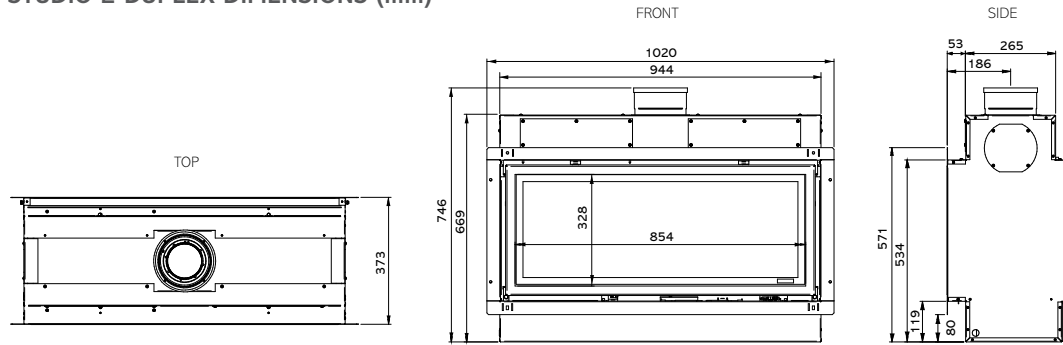
‡ Available as an upgrade to Studio fires with a log effect fuel bed

Studio 2 Duplex Fires

FIRE INFORMATION

Product Code	Flue Type	Gas Type	Fuel Effect	Heat Input	Heat Output	Efficiency	Remote Control	Lining
⊗ 123-319	Balanced flue	Nat. Gas	Logs	9.6kW	7.9kW	82%	Thermostatic	Vermiculite
⊗ 123-421	Balanced flue	LPG	Logs	9.3kW	7.6kW	82%	Thermostatic	Vermiculite
⊗ 123-329	Balanced flue	Nat. Gas	Logs	9.6kW	7.9kW	82%	Thermostatic	Black Reed
⊗ 123-500	Balanced flue	LPG	Logs	9.3kW	7.6kW	82%	Thermostatic	Black Reed

STUDIO 2 DUPLEX DIMENSIONS (mm)



FRAME INFORMATION

Description	Frame Finish	Glass Fronted BF Product Code	Frame Size (mm)		
			w	h	d
Bauhaus	Anthracite	8718BFAN02	1050	524	28
Bauhaus	Polished Stainless Steel	8718BFSS02	1050	524	28
Profil	Anthracite	8717BFAN02	1036	510	13
Profil	Polished Stainless Steel	8717BFSS02	1036	510	13
Steel 2	Graphite	923-556	1500	528	30
Steel 2	Iridium	923-572	1500	528	30
Expression Steel	Graphite	923-709	1140	614	40
Verve	Graphite	923-514	1500	528	56
Glass	Black Glass	923-535	1500	528	33.5

† For more Balanced Flue information and options please refer to our Concentric Flue System brochure which can be viewed or downloaded online at www.gazco.com

A choice of 4 colours is available to choose from on Studio Profil & Bauhaus Anthracite Fronts & Steel 2, Expression Steel & Verve Graphite fronts (see pages 46-47), these are: Metallic Red, Metallic Blue, Metallic Bronze & Ivory. Please use the product code provided with the following suffix for your choice of colour: Metallic Red (RD), Metallic Blue (BL), Metallic Bronze (BZ) & Ivory (IV)

- for example: Studio 2 Glass Fronted Verve in Metallic Blue = 923-514**BL**

STUDIO 2 DUPLEX OPTIONS

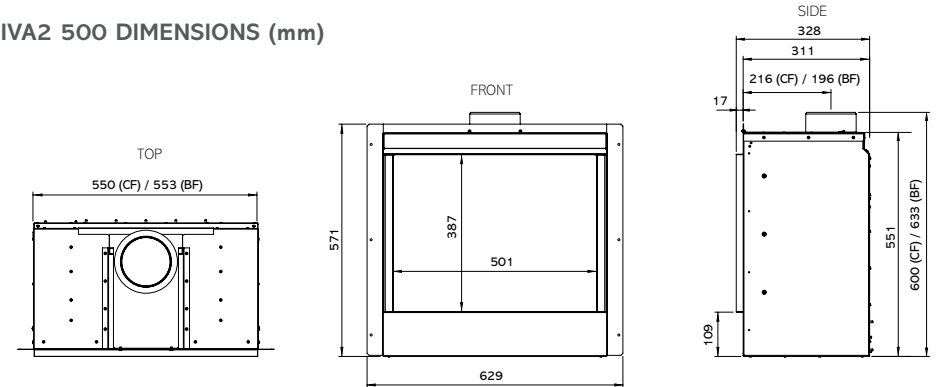
Product Code	Description
8727BFEK02	Edge fitting kit for BF †
8727BFCW02	Cool Wall fitting kit for BF †
8572	Warm air ducting kit (2 outlets)
923-538	Duplex - Vermiculite Lining Set
923-696	Duplex - Black Reed Lining Set
8567	Balanced flue kit - up and out †
8524	Balanced flue kit - vertical †
999-201	Horizontal Exit terminal guard (required for below 2m) †
999-530	Thermostatic system mains adaptor

Riva2 500 Fires

FIRE INFORMATION

Product Code	Flue Type	Gas Type	Fuel Effect	Heat Input	Heat Output	Efficiency	Remote Control	Lining
⊗ 134-070	Conventional flue	Nat. Gas	Logs	6.4kW	4.8kW	75%	Thermostatic	Black Reed
⊗ 134-796	Conventional flue	LPG	Logs	6.4kW	4.8kW	75%	Thermostatic	Black Reed
⊗ 134-118	Conventional flue	Nat. Gas	Logs	6.4kW	4.8kW	75%	Thermostatic	Vermiculite
⊗ 134-784	Conventional flue	LPG	Logs	6.4kW	4.8kW	75%	Thermostatic	Vermiculite
⊗ 134-147	Conventional flue	Nat. Gas	Logs	6.4kW	4.8kW	75%	Thermostatic	Brick Effect
⊗ 134-756	Conventional flue	LPG	Logs	6.4kW	4.8kW	75%	Thermostatic	Brick Effect
⊗ 134-275	Balanced flue	Nat. Gas	Logs	5.8kW	4.8kW	82%	Thermostatic	Black Reed
⊗ 134-447	Balanced flue	LPG	Logs	5.7kW	4.7kW	82%	Thermostatic	Black Reed
⊗ 134-308	Balanced flue	Nat. Gas	Logs	5.8kW	4.8kW	82%	Thermostatic	Vermiculite
⊗ 134-516	Balanced flue	LPG	Logs	5.7kW	4.7kW	82%	Thermostatic	Vermiculite
⊗ 134-321	Balanced flue	Nat. Gas	Logs	5.8kW	4.8kW	82%	Thermostatic	Brick Effect
⊗ 134-583	Balanced flue	LPG	Logs	5.7kW	4.7kW	82%	Thermostatic	Brick Effect

RIVA2 500 DIMENSIONS (mm)



FRAME INFORMATION

Description	Frame Finish	Product Code	Frame Size (mm)		
			w	h	d
Icon	Black Glass	934-625	945	784	30
Verve XS	Graphite	934-721	890	621	57
Ellingham	Matt Black Cast Iron	934-470	885	678	75

RIVA2 500 OPTIONS

Product Code	Description
934-005	Black Reed Lining Set - Conventional Flue
934-021	Vermiculite Lining Set - Conventional Flue
934-030	Brick Effect Lining Set - Conventional Flue
934-159	Black Reed Lining Set - Balanced Flue
934-181	Vermiculite Lining Set - Balanced Flue
934-203	Black Reed Lining Set - Balanced Flue
999-530	Thermostatic system mains adaptor
8572	Warm air ducting kit (2 outlets) - Bal. Fl
8509	Balanced flue kit - up and out †
8524	Balanced flue kit - vertical †
999-201	Horizontal Exit terminal guard (required for below 2m) †

A choice of 4 colours is available to choose from on Riva2 500 Verve XS frame, these are: Metallic Red, Metallic Blue, Metallic Bronze & Ivory. Please use the product code provided with the following suffix for your choice of colour: Metallic Red (RD), Metallic Blue (BL), Metallic Bronze (BZ) & Ivory (IV) - for example: Riva2 500 Verve XS in Metallic Blue = 934-5-721**BL**

† For more Balanced Flue information please refer to our Concentric Flue System brochure which can be viewed at www.gazco.com

Riva2 530 & 670 Fires

RIVA2 530 FIRE INFORMATION

Product Code	Flue Type	Gas Type	Fuel Effect	Heat Input	Heat Output	Efficiency	Remote Control	Lining	Opening Size (mm)		
									w	h	d
⊗ 134-156	Conventional	Nat. Gas	Logs	6.8kW	5.1kW	75%	Thermostatic	Black Reed	540	665	350
⊗ 134-739	Conventional	LPG	Logs	6.8kW	5.1kW	75%	Thermostatic	Black Reed	540	665	350
⊗ 134-171	Balanced	Nat. Gas	Logs	6.6kW	5.4kW	82%	Thermostatic	Black Reed	540	665	350
⊗ 134-718	Balanced	LPG	Logs	6.7kW	5.5kW	82%	Thermostatic	Black Reed	540	665	350
⊗ 134-189	Conventional	Nat. Gas	Logs	6.8kW	5.1kW	75%	Thermostatic	Vermiculite	540	665	350
⊗ 134-641	Conventional	LPG	Logs	6.8kW	5.1kW	75%	Thermostatic	Vermiculite	540	665	350
⊗ 134-215	Balanced	Nat. Gas	Logs	6.6kW	5.4kW	82%	Thermostatic	Vermiculite	540	665	350
⊗ 134-614	Balanced	LPG	Logs	6.7kW	5.5kW	82%	Thermostatic	Vermiculite	540	665	350
⊗ 134-233	Conventional	Nat. Gas	Logs	6.8kW	5.1kW	75%	Thermostatic	Brick Effect	540	665	350
⊗ 134-587	Conventional	LPG	Logs	6.8kW	5.1kW	75%	Thermostatic	Brick Effect	540	665	350
⊗ 134-256	Balanced	Nat. Gas	Logs	6.6kW	5.4kW	82%	Thermostatic	Brick Effect	540	665	350
⊗ 134-554	Balanced	LPG	Logs	6.7kW	5.5kW	82%	Thermostatic	Brick Effect	540	665	350

RIVA2 670 FIRE INFORMATION

⊗ 134-259	Conventional	Nat. Gas	Logs	6.8kW	5.1kW	75%	Thermostatic	Black Reed	670	530	350
⊗ 134-536	Conventional	LPG	Logs	6.7kW	5.0kW	75%	Thermostatic	Black Reed	670	530	350
⊗ 134-271	Balanced	Nat. Gas	Logs	6.7kW	5.5kW	82%	Thermostatic	Black Reed	670	530	350
⊗ 134-505	Balanced	LPG	Logs	6.8kW	5.6kW	82%	Thermostatic	Black Reed	670	530	350
⊗ 134-299	Conventional	Nat. Gas	Logs	6.8kW	5.1kW	75%	Thermostatic	Vermiculite	670	530	350
⊗ 134-472	Conventional	LPG	Logs	6.7kW	5.0kW	75%	Thermostatic	Vermiculite	670	530	350
⊗ 134-314	Balanced	Nat. Gas	Logs	6.7kW	5.5kW	82%	Thermostatic	Vermiculite	670	530	350
⊗ 134-455	Balanced	LPG	Logs	6.8kW	5.6kW	82%	Thermostatic	Vermiculite	670	530	350
⊗ 134-328	Conventional	Nat. Gas	Logs	6.8kW	5.1kW	75%	Thermostatic	Brick Effect	670	530	350
⊗ 134-426	Conventional	LPG	Logs	6.7kW	5.0kW	75%	Thermostatic	Brick Effect	670	530	350
⊗ 134-359	Balanced	Nat. Gas	Logs	6.7kW	5.5kW	82%	Thermostatic	Brick Effect	670	530	350
⊗ 134-410	Balanced	LPG	Logs	6.8kW	5.6kW	82%	Thermostatic	Brick Effect	670	530	350

*There is a choice of four colours to choose from on the Riva2 530 and Riva 670 **Evoke Glass, Evoke Steel, Verve and Verve XS** fronts (see pages 62-75), these are: Metallic Red, Metallic Blue, Metallic Bronze & Ivory. Please use the product code provided with the following suffix for your choice of colour: Metallic Red (RD), Metallic Blue (BL), Metallic Bronze (BZ) & Ivory (IV) - for example: Riva2 530 Evoke Black Glass in Metallic Red = 923-417RD

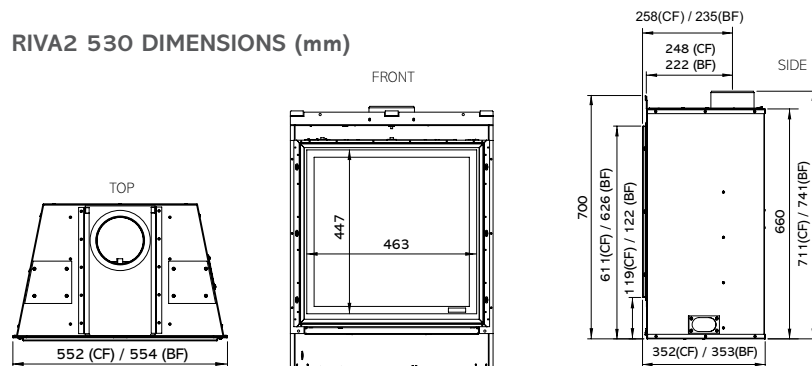
RIVA2 530 FRAME INFORMATION

Description	Frame Finish	Product Code	Frame Size (mm)		
			w	h	d
Designio2 Steel	Graphite	934-187	610	704	38
Designio2 Steel	Iridium	934-187IR	610	704	38
Designio2 Glass	Black Glass	934-293	610	704	40
Evoke Steel*	Graphite	934-595	795	752	40
Evoke Glass*	Black Glass front with Graphite rear	934-417	795	752	40
Evoke Glass*	White Glass front with Graphite rear	934-476	795	752	40
Verve*	Graphite	934-441	690	835	59

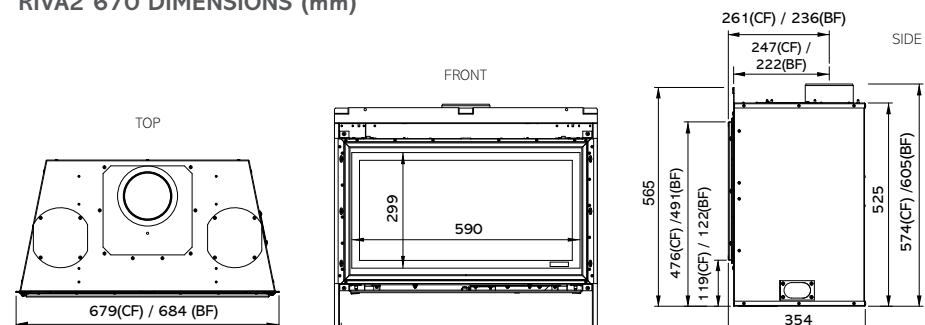
RIVA2 670 FRAME INFORMATION

Description	Frame Finish	Product Code	Frame Size (mm)		
			w	h	d
Designio2 Steel	Graphite	934-238	735	569	38
Designio2 Steel	Iridium	934-238IR	735	569	38
Designio2 Glass	Black Glass	934-339	735	569	40
Evoke Steel*	Graphite	934-601	920	622	40
Evoke Glass*	Black Glass front with Graphite rear	934-529	920	622	40
Evoke Glass*	White Glass front with Graphite rear	934-558	920	622	40
Verve *	Graphite	934-156	1325	621	57
Verve XS*	Graphite	934-143	1000	621	56

RIVA2 530 DIMENSIONS (mm)



RIVA2 670 DIMENSIONS (mm)



Riva2 530 & 670 Options

Product Code Description

8572	Warm Air Ducting Kit (2 outlets)
8524	Balanced Flue Kit - vertical (2x1000mm straight, 1x1000mm terminal)*
8509	Balanced Flue Kit - up and out (1x200mm straight, 1x500mm straight, 1 x 500mm terminal length, 1x90° bend)*
999-201	Horizontal Exit terminal guard (required for below 2m)
8736	Linerless kit for Riva2 530 and 670
999-530	Thermostatic system mains adaptor

RIVA2 530

934-049	Riva2 530 Conventional Flue Black Reed Lining Set
934-067	Riva2 530 Conventional Flue Vermiculite Lining Set
934-056	Riva2 530 Conventional Flue Brick Effect Lining Set
934-070	Riva2 530 Balanced Flue Black Reed Lining Set
934-088	Riva2 530 Balanced Flue Vermiculite Lining Set
934-074	Riva2 530 Balanced Flue Brick Effect Lining Set

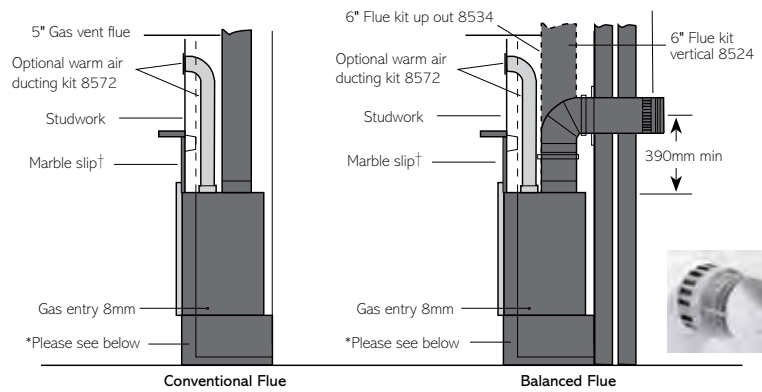
RIVA2 670

934-096	Riva2 670 Conventional Flue Black Reed Lining Set
934-103	Riva2 670 Conventional Flue Vermiculite Lining Set
934-119	Riva2 670 Conventional Flue Brick Effect Lining Set
934-127	Riva2 670 Balanced Flue Black Reed Lining Set
934-111	Riva2 670 Balanced Flue Vermiculite Lining Set
934-137	Riva2 670 Balanced Flue Brick Effect Lining Set

*Additional flue pipe lengths and bends are available to extend the above kits

For more Balanced Flue information and options please refer to our Concentric Flue System brochure which can be viewed or downloaded online at www.gazco.com

ADDITIONAL INFORMATION FOR RIVA 530 AND RIVA 670



Diagrammatic representation only. Not accurate for installation purposes

NOTE: New 530 and 670 conventional flue connection system means easier installation.

No access to flue connector required during installation.

†A marble slip with a minimum width of 150mm is recommended around ALL installations. No combustible material, including

wallpaper, should be less than 150mm from the appliance.

*When installing below 150mm from the floor it is recommended that a 12mm thick non-combustible hearth is provided, extending 300mm in front and 150mm each side of the fire.

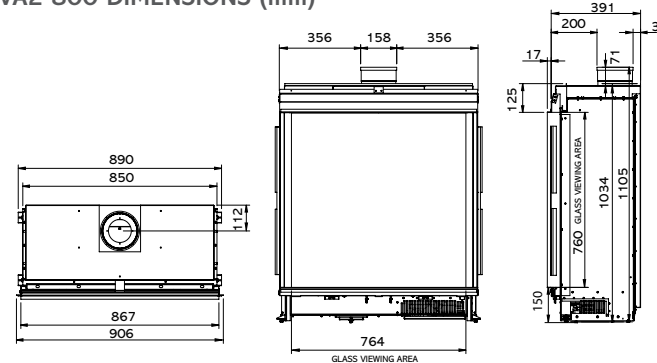
NOTE: Access to flue will be required during installation.

Riva2 800 Fires

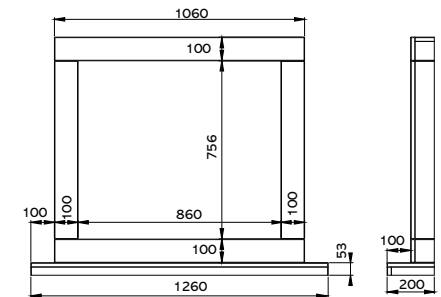
RIVA2 800 FIRE INFORMATION

Product Code	Flue Type	Gas Type	Fuel Effect	Heat Input	Heat Output	Efficiency	Lining	Remote Control	Opening Size (mm)		
									w	h	d
⊗ 134-031	Balanced	Nat. Gas	Logs	9.00kW	7.38kW	82%	Vermiculite	Sequential	906	1105	391
⊗ 134-476	Balanced	LPG	Logs	8.40kW	6.89kW	82%	Vermiculite	Sequential	906	1105	391
⊗ 134-210	Balanced	Nat. Gas	Logs	9.00kW	7.38kW	82%	Black Reeded	Sequential	906	1105	391
⊗ 134-450	Balanced	LPG	Logs	8.40kW	6.89kW	82%	Black Reeded	Sequential	906	1105	391

RIVA2 800 DIMENSIONS (mm)



RIVA2 800 SORRENTO DIMENSIONS (mm)



RIVA2 800 FRAME INFORMATION

Product Code	Description	Frame Finish	Frame Size (mm)		
			w	h	d
934-664	Icon	Black Glass	1263	1158	30
934-064	Sorrento	Natural Limestone	1260	1009	200
934-302	Sorrento	Graphite Granite	1260	1009	200
9002CLWM	Claremont (requires slip set)	Antique White Marble	1555	1143	190
9002CLTL	Claremont (requires slip set)	Limestone	1555	1143	190
9000CAWM	Cavendish Bolection (requires slip set)	Antique White Marble	1460	1320	207
9000CATL	Cavendish Bolection (requires slip set)	Limestone	1460	1320	207
9001GEWM	Georgian Roundel (requires slip set)	Antique White Marble	1460	1082	200
9001GETL	Georgian Roundel (requires slip set)	Limestone	1460	1082	200
9003GRWM	Grafton (requires slip set)	Antique White Marble	1415	1165	105
9003GRTL	Grafton (requires slip set)	Limestone	1415	1165	105
9004VIWM	Victorian Corbel (requires slip set)	Antique White Marble	1525	1170	250
9004VITL	Victorian Corbel (requires slip set)	Limestone	1525	1170	250
9005SAWM	Sandringham (requires slip set)	Antique White Marble	1550	1220	227
9005SATL	Sandringham (requires slip set)	Limestone	1550	1220	227
934-670	Slip set for Stone Mantel	Antique White Marble	N/A	N/A	N/A
934-553	Slip set for Stone Mantel	Limestone	N/A	N/A	N/A
934-241	Small Hearth for Stone Mantel	Antique White Marble	1524	53	228
934-193	Small Hearth for Stone Mantel	Limestone	1524	53	228
934-489	Large Hearth for Stone Mantel	Antique White Marble	1625	53	457
934-351	Large Hearth for Stone Mantel	Limestone	1625	53	457

RIVA2 800 OPTIONS

Product Code	Description
8534	Balanced flue kit - up and out (1x198mm straight, 1x500mm terminal length, 1x90° bend)*
8524	Balanced flue kit - vertical (2x1000mm straight, 1x1000 terminal length*)
934-152	Riva2 800 Black Reed Lining Set
999-440	Riva2 800 Tiled Wall Fitting Kit
999-668	Riva2 Renovation Kit (see page 126)
999-201	Horizontal Exit terminal guard (required for below 2m)

*Additional flue pipe lengths and bends are available to extend the above kits

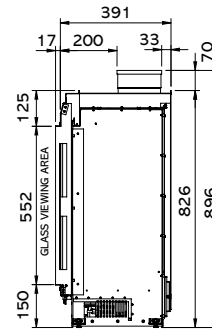
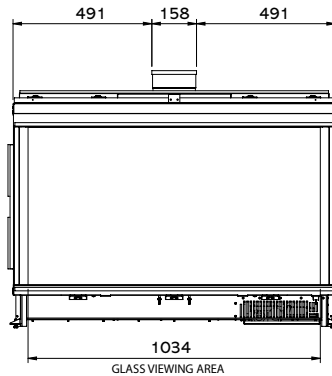
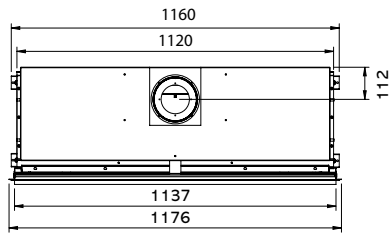
For more Balanced Flue information and options please refer to our Concentric Flue System brochure which can be viewed or downloaded online at www.gazco.com

Riva2 1050 Fires

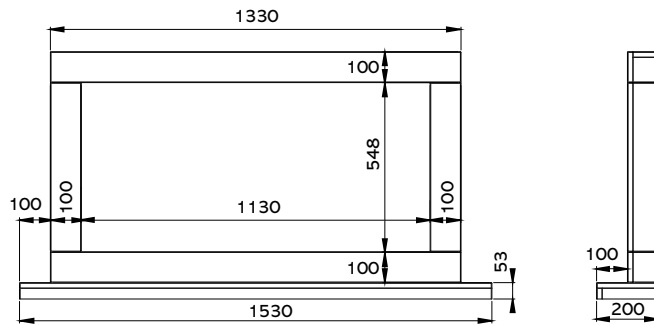
RIVA2 1050 FIRE INFORMATION

Product Code	Flue Type	Gas Type	Fuel Effect	Heat Input	Heat Output	Efficiency	Remote Control	Lining	Opening Size (mm)		
									w	h	d
⊗ 134-225	Balanced	Nat. Gas	Logs	9.00kW	7.38kW	82%	Sequential	Vermiculite	1176	896	391
⊗ 134-568	Balanced	LPG	Logs	8.40kW	6.89kW	82%	Sequential	Vermiculite	1176	896	391
⊗ 134-244	Balanced	Nat. Gas	Logs	9.00kW	7.38kW	82%	Sequential	Black Reeded	1176	896	391
⊗ 134-482	Balanced	LPG	Logs	8.40kW	6.89kW	82%	Sequential	Black Reeded	1176	896	391

RIVA2 1050 DIMENSIONS (mm)



RIVA2 1050 SORRENTO DIMENSIONS (mm)



RIVA2 1050 FRAME INFORMATION

Product Code	Description	Frame Finish	Opening Size (mm)		
			w	h	d
934-501	Sorrento	Natural Limestone	1530	801	200
934-653	Sorrento	Graphite Granite	1530	801	200
934-693	Icon	Black Glass	1533	951	30

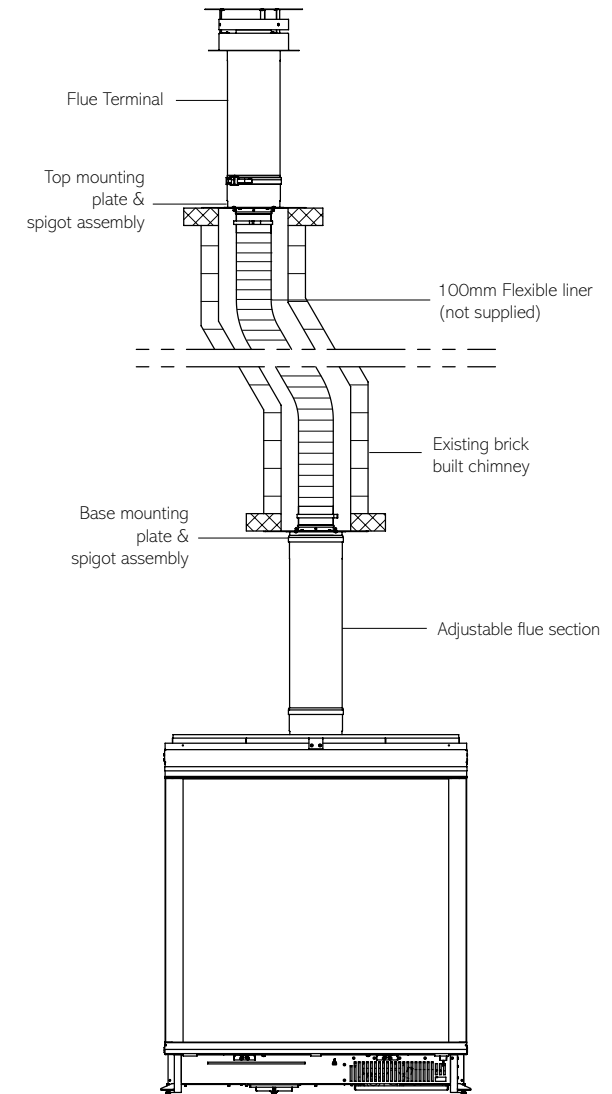
RIVA2 1050 OPTIONS

Product Code	Description
8523	Riva2 Balanced flue kit (1050 only) - up and out (1x500mm straight, 1x500mm terminal length, 1x90° bend)
8524	Balanced flue kit - vertical (2x1000mm straight, 1x1000 terminal length*)
934-260	Riva2 800 Black Reed Lining Set
999-321	Riva2 1050 Tiled Wall Fitting Kit
999-668	Riva2 Renovation Kit
999-201	Horizontal Exit terminal guard (required for below 2m)

*Additional flue pipe lengths and bends are available to extend the above kits

For more Balanced Flue information and options please refer to our Concentric Flue System brochure which can be viewed or downloaded online at www.gazco.com

RIVA2 800 & 1050 RENOVATION KIT



The Riva2 800 & 1050 fires are available as balanced flue fires only, however, they can be installed into a conventional chimney by using this optional Riva2 Renovation Kit.

Riva 53 & 67 Cassette Fires

RIVA 53 FIRE INFORMATION

Product Code	Flue Type	Gas Type	Fuel Effect	Heat Input	Heat Output	Efficiency	Remote Control	Opening Size (mm)		
								w	h	d
⊗ 8596	Conventional	Nat. Gas	Driftwood	6.80kW	4.90kW	72%	Manual (Upgradable)	540	665	350
⊗ P8596	Conventional	LPG	Driftwood	6.60kW	4.80kW	73%	Manual (Upgradable)	540	665	350
⊗ 8592	Balanced	Nat. Gas	Driftwood	6.80kW	5.30kW	78%	Manual (Upgradable)	540	665	350
⊗ P8592	Balanced	LPG	Driftwood	6.30kW	4.90kW	78%	Manual (Upgradable)	540	665	350

RIVA 67 FIRE INFORMATION

⊗ 8590LUC	Conventional	Nat. Gas	Logs	6.80kW	4.90kW	72%	Manual (Upgradable)	670	530	350
⊗ P8590LUC	Conventional	LPG	Logs	6.70kW	4.80kW	72%	Manual (Upgradable)	670	530	350
⊗ 8595LUC	Balanced	Nat. Gas	Logs	6.10kW	4.80kW	78%	Manual (Upgradable)	670	530	350
⊗ P8595LUC	Balanced	LPG	Logs	5.80kW	4.50kW	78%	Manual (Upgradable)	670	530	350

RIVA 53 FRAME INFORMATION

Product Code	Description	Frame Finish	Frame Size (mm)		
			w	h	d
8632BS	Avanti vertical curve	Stainless Steel/Black	650	819	120
8644GP	Designio	Graphite	650	735	68
8644IR	Designio	Iridium	650	735	68
8495GP53	Profil 2	Graphite	590	729	38
8495IR53	Profil 2	Iridium	590	729	38
8739BK53	Spectrum	Black with Stainless Inserts	760	729	50

RIVA 67 FRAME INFORMATION

Product Code	Description	Frame Finish	Frame Size (mm)		
			w	h	d
8641BS	Avanti horizontal curve	Stainless Steel/Black	825	699	140
8634GP	Designio	Graphite	775	603	68
8634IR	Designio	Iridium	775	603	68
8684GP	Esprit	Graphite	925	684	70
8684IR	Esprit	Iridium	925	684	70
8495GP67	Profil 2	Graphite	710	590	38
8495IR67	Profil 2	Iridium	710	590	38
8739BK67	Spectrum	Black with Stainless Inserts	880	590	50
8662BK	Vetro	Black Glass	1052	650	92

For more Balanced Flue information and options please refer to our Concentric Flue System brochure which can be viewed or downloaded online at www.gazco.com

RIVA 53 & 67 OPTIONS

RIVA 67

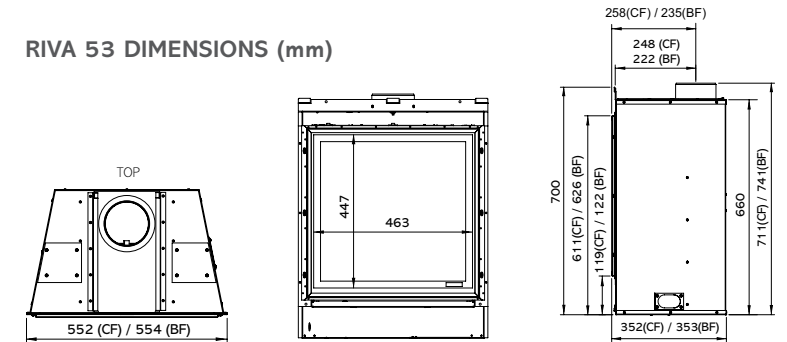
- 8566** Fan-assisted convection circulation kit (240v) for Riva 67 balanced flue
- 8736** Linerless kit

RIVA 53 & 67

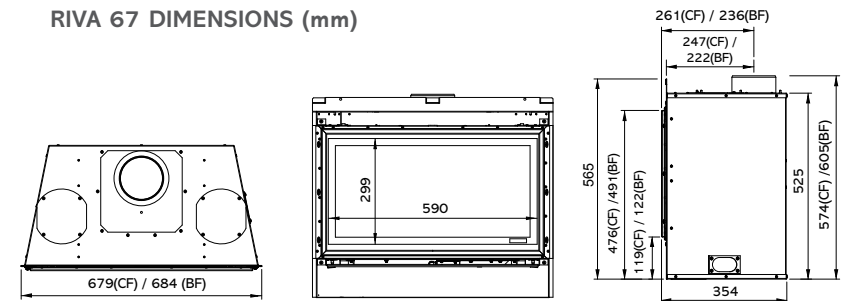
- 8455** Standard Remote Control Kit
- 8456** Programmable Thermostatic Remote Control Kit
- 8572** Warm air ducting kit (2 outlets)
- 8524** Balanced flue kit - vertical (2x1000mm straight, 1x1000 terminal length)*
- 8534** Balanced flue kit - up & out (1x200mm straight, 1x500mm terminal length, 1x90° bend)*
- 999-201** Horizontal Exit terminal guard (required for below 2m)

*Additional flue pipe lengths and bends are available to extend the above kits

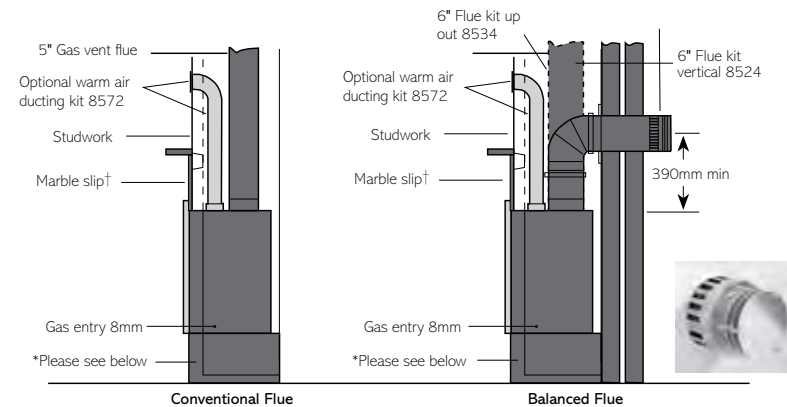
RIVA 53 DIMENSIONS (mm)



RIVA 67 DIMENSIONS (mm)



ADDITIONAL INFORMATION FOR RIVA 53 AND RIVA 67



Diagrammatic representation only. Not accurate for installation purposes

NOTE: New 53 and 67 conventional flue connection system means easier installation. No access to flue connector required during installation.

†A marble slip with a minimum width of 150mm is recommended around ALL installations. No combustible material, including

wallpaper, should be less than 150mm from the appliance.

*When installing below 150mm from the floor it is recommended that a 12mm thick non-combustible hearth is provided, extending 300mm in front and 150mm each side of the fire.

NOTE: Access to flue will be required during installation.

Linea Wall Mounted Fires

LINEA FIRE INFORMATION

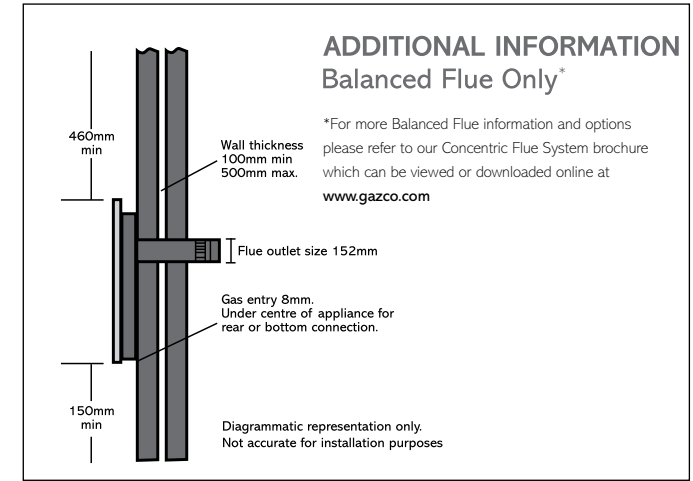
Product Code	Flue Type	Gas Type	Heat Input	Heat Output	Efficiency	Remote Control
⊗ 8651EC	Balanced	Nat. Gas	5.25kW	4.30kW	82%	Sequential
⊗ P8651EC	Balanced	LPG	5.25kW	4.30kW	82%	Sequential

LINEA COMPLETE FRONT INFORMATION

Product Code	Description	Frame Finish	Frame Size (mm)		
			w	h	d
8652GP	Designio	Graphite	775	620	170
8652IR	Designio	Iridium	775	620	170
8657GP	Steel	Graphite	1050	650	167
8657IR	Steel	Iridium	1050	650	167
945-036	Vetro	Black Glass	1050	650	167

There is a choice of four colours to choose from on Linea **Steel** Graphite fronts (see pages 46-47), these are: Metallic Red, Metallic Blue, Metallic Bronze & Ivory. Please use the product code provided with the following suffix for your choice of colour: Metallic Red (RD), Metallic Blue (BL), Metallic Bronze (BZ) & Ivory (IV).

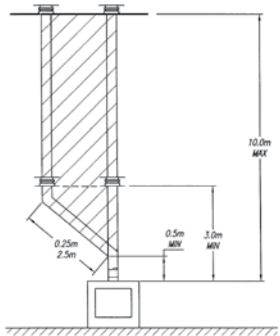
- for example: Linea Steel in Metallic Bronze = 8657GPBZ



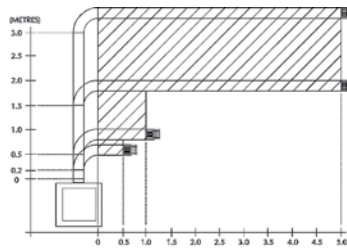
Balanced Flue Options

Gazco offers a comprehensive range of balanced flue system components. Please refer to our dedicated Concentric Flue System brochure which can be requested from your retailer or viewed online at www.gazco.com.

Vertical from the top of the appliance

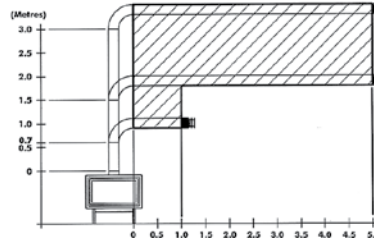


Vertical from the top of the appliance then horizontally out



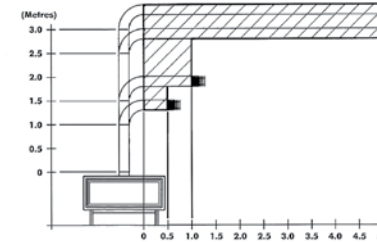
Riva2 800, Riva 53 & 67 Fires, Studio 1 & 22

Vertical from the top of the appliance then horizontally out - Studio 2 requires a minimum 700mm rise from the top of the unit



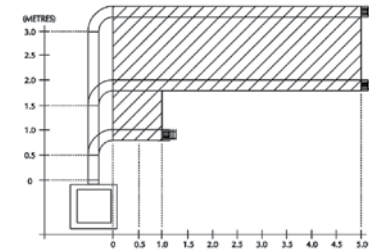
Studio 2

Vertical from the top of the appliance then horizontally out - Studio 3 requires a minimum 1000mm rise from the top of the unit



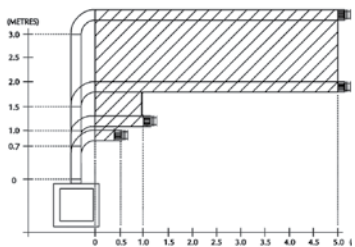
Studio 3

Vertical from the top of the appliance then horizontally out



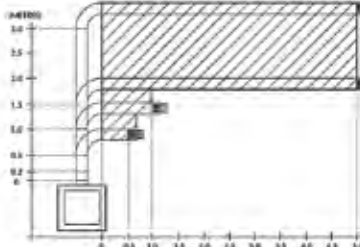
Riva2 530 Nat Gas/LPG & Riva2 670 Nat Gas

Vertical from the top of the appliance then horizontally out



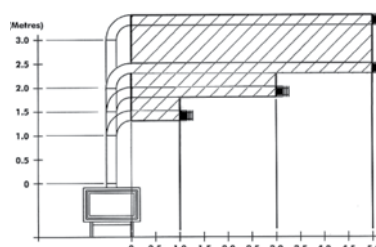
Riva2 670 LPG

Vertical from the top of the appliance then horizontally out



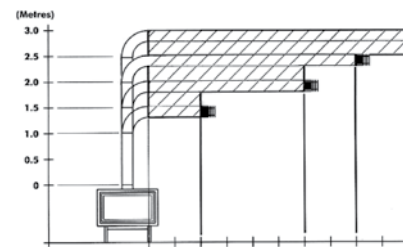
Riva2 500

Vertical from the top of the appliance then horizontally out



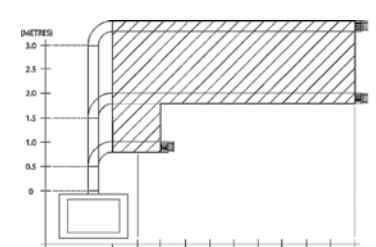
Studio 2 Duplex - Nat Gas

Vertical from the top of the appliance then horizontally out



Studio 2 Duplex - LPG

Vertical from the top of the appliance then horizontally out



Riva2 1050 only

Command Remote Controls

Gas Fires

Gazco was the first UK company to introduce remote controls for gas fires. Today, our Command remote control systems are supplied with many of the fires in this brochure:



a) Sequential remote control for Open Fronted Studio fires

The Sequential remote control allows you to ignite your fire, choose between different flame settings and heat outputs, from the comfort of your sofa.



b) Programmable Sequential remote control for Riva2 800 and 1050 and Linea Fires

This programmable version allows remote operation of everything from ignition to extinguish as well as incorporating the benefits of a programmable timer and thermostat.



c) Thermostatic remote control for Glass Fronted Studio fires, Riva2 500 and Riva2 530 and 670.

This deluxe version is loaded with exciting features that make it possible to program your fire to perfectly complement your lifestyle. Not only can you ignite, extinguish and thermostatically control your fire, this remote control system benefits from advanced technology that gives you the option to create an automatic, intelligent heating program that means your home is comfortable and cosy at any time of the day or night.

The Riva 53 and 67 fires are manually controlled, but can be upgraded either at the time of purchase or at a later date with either:



d) Standard upgradable remote control for Riva 53 and 67

Once the pilot light has been ignited manually you can vary the flame height and heat output from the comfort of your armchair.



e) Programmable upgradable remote control for Riva 53 and 67

This deluxe version has two additional features. The first allows you to thermostatically control the room temperature whilst the second allows you to programme your stove to switch itself on and off twice a day. Use both and you can even come home to a glowing fire that has heated the room to the temperature you select.

Important Information

Technical Specifications

All specifications given in this brochure are approximate. Actual specifications for each individual product will vary according to model. Your Gazco retailer will be pleased to provide any further information you require. Alternatively you may view or download specification sheets from www.gazco.com

Installation and Safety

Gazco gas fires must be fitted by a qualified gas installer (Gas Safe registered in the United Kingdom or Bord Gáis registered in the Republic of Ireland) who should also verify the proposed site conditions are fully suitable for the product selected. Complete installation instructions for many models can be obtained prior to purchase by viewing or downloading them from www.gazco.com. Please note that all parts of these fires, particularly the glass panel in the door, become extremely hot during operation and can result in serious injury and burns if touched. It is therefore recommended that a fireguard complying with BS 8423:2002 is used in the presence of young children, the elderly or infirm.

Colours/Flame pictures

Owing to variations in studio lighting and printing inks, the finishes/colours of fires illustrated in this brochure may differ slightly from actual models. Before purchasing, please ask your retailer to show you finish/colour samples. Whilst all the flame pictures shown in this brochure are of actual fires, flame pictures may vary depending on the installation, flue conditions and geographical/surrounding features that may effect the efficiency of the flue.

Care and maintenance

Traditional materials, such as polished steel and brass, tarnish on contact with air, especially when also exposed to heat. To help minimise this effect, we recommend fires receive regular treatment with suitable proprietary cleaners. Additionally, please remember that gas fires will require servicing annually by a qualified gas installer Gas Safe registered in the United Kingdom or Bord Gáis registered in the Republic of Ireland).

Warranty and product improvement

Your Gazco Expert Retailer will provide you with a Five Year Extended Warranty for your new gas fire, provided your fire has been registered with Gazco. The second and subsequent years are dependant on the appliance being serviced 12 months after installation and annually thereafter and exclude certain consumable parts. Fires purchased outside of Gazco's Expert Retailer Network will carry a standard 1 Year Warranty. Full warranty terms and conditions are available to view at www.gazco.com.



Gazco pursue a policy of continuous product improvement, therefore, whilst our products are correct at the time of the photography, we reserve the right to make alterations and amendments. Exact product details should be discussed with your retailer at the time of purchase.

Air ventilation for gas fires

To comply with gas appliance installation regulations, all Studio 2 and 3 Open Fronted fires and all Glass Fronted Studio 2 fires with a conventional flue require additional ventilation into your room. For further information, please consult either your Gazco retailer or the Gazco Technical Information on our website www.gazco.com to confirm the ventilation required. Gazco offers suitable wall and floor vents that are available from your local retailer. To browse the range, please view our Fireplace, Stove and Hearth Accessories brochure available at www.gazco.com. All other fires featured in this brochure do not require additional ventilation.



Wall Vent
One size, choice of brass or stainless steel



Floor Vent
Two sizes, brass only

Exclusive Fireplace Tile Surrounds

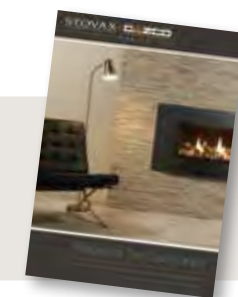


The space in which you live is an expression of your individual style and at the very heart of your home is the fireplace. It is a focal point that not only extends the warmest of welcomes to your family and friends, and the one around which they will gather naturally, but it also offers you the opportunity to make a design statement that marks out the room even when the fire is not lit.

Many of Gazco's contemporary fires are designed to fit into an existing chimney breast or specially built studwork structure. Accordingly, the wall itself can be used to enhance the impressive appliance you have already chosen. This unique collection of 34 porcelain and natural stone tiles has been carefully selected to help you create your ultimate look. The range is continually being refined with stylish additions, so please ask your Gazco retailer for details, or download the latest brochure from www.gazco.com.



To view the Fireplace Tile Surrounds brochure, simply scan this QR code, visit www.gazco.com or speak to your local Gazco retailer.





*Riva2 670 Verve XS in Graphite with Black Reeded lining.
Shown with Slate Di Savoia Mosaic Finish fire surround tiles*



Studio 3 Verve in Graphite, Open Fronted with White Stone fuel bed



Gazco Limited

Osprey Road, Sowton Industrial Estate, Exeter, Devon, England EX2 7JG
 Tel: 01392 261999 • Fax: 01392 444148 • E-mail: info@gazco.com • www.gazco.com

A member of the Stovax Group Paper sourced from sustainable forests and printed using vegetable based inks

Gazco gratefully acknowledges the assistance of the following companies with photographic settings:

Furnishings and Ornaments:- www.furniturevillage.co.uk; www.lauraashley.com; www.faginsantiques.com; www.theorangetree.co.uk; www.habitat.co.uk; www.houseoffraser.co.uk;
 www.ashorejewellery.co.uk; www.electrique.co.uk; www.debenhams.com; www.next.co.uk; www.mokodirect.co.uk; Pilgrim 01404 41219 • **Lighting:-** www.amoslighting.co.uk
Wood Mantels:- www.stovax.com • **Stone Mantels:-** www.farmington.co.uk; www.bnsp.co.uk; www.grandisson.com; www.rudloe-stone.com • **Wood flooring:-** www.beechbros.co.uk
Tiles & Stone floors:- www.originalstyle.com • **Televisions:-** www.heavitreeradio.co.uk • **Plants:-** www.stbridgetnurseryseries.co.uk • **Paintings:-** www.easycart.com



To view & download our complete range of brochures, simply scan this code or visit www.gazco.com

Your Gazco stockist:	£5.00