



Woodburning Stoves and Fires



“ Moments for a lifetime ”



# “Danish design”

## FOCUSING ON FUNCTIONALITY & AESTHETICS

Woodburning stoves should be easy to operate, attractive and environmentally friendly. Lotus has always given top priority to quality and functionality in our design philosophy as well as in our choice of materials. All our stoves are tested by recognised test authorities, thus guaranteeing that Lotus products will always meet the most stringent environmental requirements.

The Lotus range of woodburning stoves and fireplace inserts has been created in close cooperation between Architect Kaare Sølvsten, technicians and suppliers from all over the world.

We combine Danish design traditions with the best quality components. Our outlook is international and we always strive to create simple, beautiful products, grounded in tradition yet that combine the best of design, functionality and technology.

## THE NORDIC SWAN ECOLABEL

Environmentally friendly products from Lotus



The officially recognised Nordic Ecolabel, the Swan, is your guarantee that the product is among those having the least environmental impact within its category and that stove's impact on the environment is minimised during use.

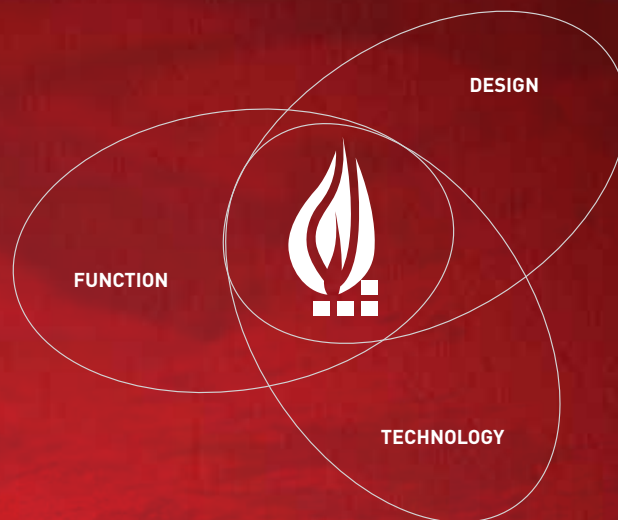
Several stoves in this brochure have been granted the Swan Ecolabel. In this brochure, these stoves are marked with a SWAN symbol from Ecolabelling Denmark.

## THE BENEFITS OF WOODBURNING



All Lotus stoves and fires are designed for woodburning only. Wood is an environmentally friendly fuel; when burnt, the carbon dioxide released into the atmosphere is approximately the same as that absorbed by the tree during growth. It is also a renewable resource, particularly when derived from plantations and cultivated woodland.

For optimum results, we recommend logs should be seasoned for 2 years or more to achieve a moisture content below 20%. This will not only give twice the output of freshly felled timber but will also help to avoid a build up of tar in your flue. Furthermore, if you can obtain hardwood logs this is better still, as they will have a greatly increased calorific value compared to softwoods.



## KAARE SØLVSTEN // M.A.A, M.D.D, PAR

Danish architect with a flair for designing woodburning stoves

In 2001, Lotus started collaborating with architect and cabinetmaker Kaare Sølvsten. His passionate commitment and simple, stylish mode of expression has characterised the design aspect of the company in close collaboration with our engineers and manufacturers.

With a professional depth and competence both within the tradition of Danish craftsmanship and his training in architecture at the School of Arts and Crafts and at the School of Architecture at the Danish Academy of Fine Arts in Copenhagen, Kaare Sølvsten's work has been awarded numerous prizes and he has gained recognition as one of the country's pre-eminent architects.

Kaare Sølvsten has a genuine love for the craftsmanship and materials, and this shines through in the stoves he has designed for Lotus.

According to Kaare Sølvsten, quality is inextricably linked to the union of functionality, technology and design. He takes a holistic approach to his work, meaning that he thinks in terms of the whole rather than a series of fragments put together. Therefore, the design process should endeavour to take all conditions and needs into account.





# “Complete Peace of Mind...”

## 5 YEAR EXTENDED WARRANTY

When you choose a Lotus stove or fire, quality and technology are assured. Accordingly, your Lotus Expert Retailer will provide you with a Five Year Extended Warranty for your new woodburning stove or fire. Please note, this warranty excludes certain consumable parts. Stoves or fires purchased outside of Lotus' Expert Retailer Network will carry a standard 1 Year Warranty. Full warranty terms & conditions are available to view at [www.lotusfires.com](http://www.lotusfires.com).



## EXPERT RETAILER NETWORK

We take great care to ensure that our stoves and fireplaces are designed, tested and manufactured to the highest possible quality and safety standards. We are just as concerned to make certain that they are sold and installed correctly so that you enjoy years of pleasure from your purchase.

Accordingly, you will find our products are only available from experienced, independent retailers who will be happy to show you a selection of models locally in their showrooms, often fully operational. These independent retailers will discuss your individual requirements both technical (such as sizing the heat output to your room and advising on your flue type) and design, and ensure that you select the most appropriate product for your home. They will also be able to advise on or assist with the installation process as well as help provide any after-sales support and servicing of your appliance that you may require in the future.

Whilst we encourage our retailers to promote fireplace products and their outlets via the internet, we do not believe suitable levels of customer care and satisfaction can be obtained from nationwide online sales and we would strongly recommend that you consider this when undertaking your research and making a purchasing decision. Further, please be aware that we do not offer technical support (beyond our statutory responsibilities) to products bought via nationwide online sales, where this support would normally be offered by one of our qualified, independent retailers.

Furthermore, Lotus stoves and fires purchased from within our Expert Retailer Network will have the additional benefit of a greatly extended warranty period, subject to terms and conditions. Full details can be found at [www.lotusfires.com](http://www.lotusfires.com).

## APPROVED FOR SMOKE CONTROL AREAS

Most town and city homes in the UK are located in Smoke Control Areas as designated by the Clean Air Act 1993. To burn logs on a stove in these locations, the model installed must have been granted exemption from the regulations by the government through DEFRA.



This exemption is given only to appliances which have been independently tested to demonstrate particularly clean burning combustion. Many stoves in this brochure are approved for use in Smoke Control Areas and this is shown on each product page. Your Lotus retailer can give you further help and advice.

## THE LOTUS RANGE

Sola.....	06
Liva.....	08
Mira.....	10
Prio.....	12
Mondo.....	14
M2ST.....	16
Living.....	18
Living Base.....	20
Living Cube.....	22
Insert Fireplaces.....	24

## SYMBOL KEY

- Nominal Heat Output
- Heat Output Range
- Efficiency







# “ Lotus Sola ”

## HEATING FROM WITHIN

The Lotus Sola is a sleek and elegant stove with a tall door which makes for a fantastic experience of the flames. The stainless steel door handle follows the curved form of the door, with the ash pan concealed behind the door.

Its circular shape and depth of just 38.5 cm make it easy to integrate into many places in the home.

There are two models available; the Sola Steel and the new Sola Indian Night Stone.

🔥 5kW    ↻ 3 - 7 kW    Ⓜ 80%



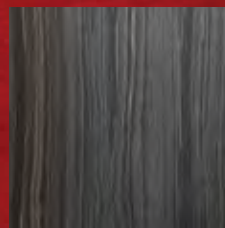
## MODELS AVAILABLE:



Sola Steel



Sola Indian Night Stone



Indian Night Stone

See notes on British and Irish building regulations in the Important Safety and Technical Information Section on page 38



Sola Steel





# “Lotus Liva”



## CREATE YOUR OWN STOVE

The Lotus Liva series offers countless possibilities – here, only your imagination sets the limits. You can choose between the high, medium or low height variants of the stove and there is even a wall-mounted version with the Liva 4\*.

According to model there are side options of steel or soapstone, and for maximum effect there are models with additional flame viewing windows on the side.

The stove incorporates several user-friendly details, such as a magnetic closing drawer for the storage of kindling and accessories, a particularly solid steel and cast-iron door as well as an exclusive stainless steel control lever below the door which enables easy and precise control of the flames.

\*Optional wall-mounting bracket required. Also see image on page 2



 5 kW  3 - 7 kW  78%

See notes on British and Irish building regulations in the Important Safety and Technical Information Section on page 38





Liva 2 Glass Sides

**MODELS AVAILABLE:**



Liva 2 Steel Sides



Liva 2 Glass Sides



Liva 2 Soapstone



Liva 3 Steel Sides



Liva 3 Glass Sides



Liva 3 Soapstone



Liva 4 Glass Sides  
(Wall Hung or Hearth Mounted)

# “Lotus Mira”



## REFINED DESIGN

The new Mira woodburning stoves combine form and function in the most remarkable of ways. The Mira marries these qualities with the characteristically sleek Lotus lines to create an elegant and timeless design. Unique details, such as the stainless steel air control lever and an exclusive handle make for easier operation. The Mira is a stove that takes user-friendliness and exquisite craftsmanship to a whole new level.

The series includes the Mira 2 where the large side windows embellishes the stove's elegant lines further. The warm glow of the flames can now be experienced from all sides and transforms the stove into a living masterpiece to suit any contemporary decor.



 5 kW  3 - 7 kW  78%

See notes on British and Irish building regulations in the Important Safety and Technical Information Section on page 38





Mira 2

**MODELS AVAILABLE:**



Mira 1



Mira 2



# “Lotus Prio”




## A COSY HEAT SOURCE

The Lotus Prio series presents the best of fine Danish design and craftsmanship.

With a subtly curving form and generous flame picture in the door, the Prio is as giving in its aesthetic appeal as in its impressive heat output. There is a concealed compartment beneath that has space for storing kindling and accessories. The Prio 6 features side-viewing windows for an enhanced 180° view of the flames.



 6 kW  3 - 8 kW  77%

See notes on British and Irish building regulations in the Important Safety and Technical Information Section on page 38



Prio 6 Steel

**MODELS AVAILABLE:**



Prio 5 Steel



Prio 5 Soapstone



Prio 6 Steel



Prio 6 Soapstone



# “Lotus Mondo”



## ELEGANCE AND EFFICIENCY

The Lotus Mondo series represents simple design and fine craftsmanship, apparent in the detail. The Mondo 1 has a clean straight front, whereas the Mondo 2 offers the added appeal of a gently curving front. Both models feature an elegant stainless steel door handle.

Mondo 1 and 2 are both available as 'S' models with complete soapstone covering on the sides and top which stores and radiates heat.



🔥 5 kW    ⚡ 3 - 7 kW    Ⓜ 79%

See notes on British and Irish building regulations in the Important Safety and Technical Information Section on page 38





Mondo 2 Steel

**MODELS AVAILABLE:**



Mondo 1 Steel



Mondo 1S Soapstone



Mondo 2 Steel



Mondo 2S Soapstone







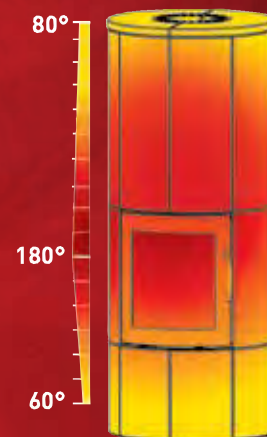
# “ Lotus M2ST ”

## A DISTINCTIVE STOVE WITH EXTRAORDINARY APPEAL

The Lotus M2ST is a stove that is sure to add instant impact and make a real style statement in your home.

The M2ST also has an innovative integral heat storage system that retains heat during burning and then releases it gently for up to 14 hours after the fire has gone out. The stove is equipped with the ability to control the amount of heat output to the room and that which is to be retained.

The vertical steel panels offer a clean contemporary form and allow the heat to radiate out from the storage cells into the room. The striking black steel is accented by the elegant stainless steel control levers and handle, making the M2ST is the perfect combination of form and function, and an ultra-stylish way to ensure your home is always cosy and warm.



🔥 6 kW    🔁 4 - 10 kW    Ⓜ 80%

### STOVE SIZE:



M2ST

See notes on British and Irish building regulations in the Important Safety and Technical Information Section on page 38



“Lotus Living”



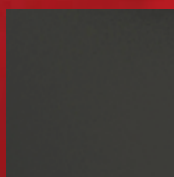


“ We could have made a new stove, but instead we created something entirely different.. ”

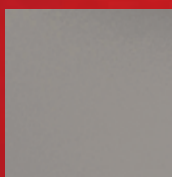
Lotus Living – all the qualities of the woodburning stove now in an exquisite and luxurious design. Far from being merely a source of heat, this unique feature fire is a stylish mode of expression which sets a whole new standard for interior design. Lotus Living is a free-standing fire with an elegant rounded form, exceptional flame picture and high efficiency heat output. The double-layered glass door ensures optimum insulation for better combustion in the firebox.

To extend your interior options, Lotus Living can be installed with our anthracite grey Concrete Bench which creates an exciting and rustic contrast to the stoves subtle curves.

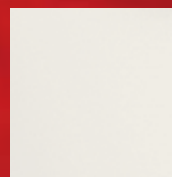
Lotus Living is available in a choice of 3 colours:



Phantom Grey



Ice Metallic



Alpina White

 7 kW  3 - 9 kW  78.5%



Living in Phantom Grey



Living in Ice Metallic with Large Concrete Bench

See notes on British and Irish building regulations in the Important Safety and Technical Information Section on page 38


# “ Lotus Living Base ”



## BREATHTAKING FLAME VIEWS

A totally unique combination of stove and plinth that adds instant appeal and a feature focal point in contemporary living spaces. The sturdy steel base provides convenient log storage and offers extra visual appeal by mirroring the beautiful curves of the Lotus Living fire.

Lotus Living & Base are available in three colours: Phantom Grey, Ice Metallic and Alpina White

 7 kW  3 - 9 kW  78.5%

See notes on British and Irish building regulations in the Important Safety and Technical Information Section on page 38





Living Base in Phantom Grey



Living Base in Phantom Grey



Living Base in Ice Metallic



Living Base in Alpina White

# “ Lotus Living Cube ”





## SUBTLY STUNNING

Lotus Living is all about contemporary tones and a sure sense of style. When combined with the Cube, the Lotus Living raises these to the highest levels as well as providing an attractive functional space in which to store your logs.

The Cube is colour matched to the fire in your choice of Phantom Grey, Ice Metallic and Alpina White.

This Cube is also available as a closed steel cube with your choice of a black glass or steel backing.

 7 kW  3 - 9kW  78.5%

See notes on British and Irish building regulations in the Important Safety and Technical Information Section on page 38





Living Cube in Alpina White



Living Cube in Phantom Grey



Living Cube in Ice Metallic



Living Cube in Alpina White





# “Fireplace inserts - a world of possibilities”



Lotus fireplace inserts are the ideal choice if you are looking for a stylish centrepiece for the home combined with outstanding combustion technology and a fantastic view of the flames.

With cleanburning combustion and high efficiency heat output, Lotus fireplace inserts have it all. They are constructed according to the finest principles of craftsmanship in an exclusive and thoroughly thought-out design with a finish that is in a class of its own. The elegant control lever integrates beautifully so nothing interrupts the inserts clean lines; a true testament to Kaare Sølvesten, the architect behind the simple yet refined design. There are several sizes in the range from the portrait H700 to the widescreen H570W, each offered to expand your styling options and to suit the heating requirements of your home. There is even a double-side model that allows you to enjoy the exciting flame visuals from two rooms at once!

Each of the insert fires is compatible with the optional warm air ducting kit that can distribute some of the fires heat into other rooms to really maximise the heating benefits from this stunning fire range.



H570W

# “ Lotus H370 ”



## DEPENDABLE DESIGN IN BLACK STEEL

This fireplace insert with a steel front in black is built according to the best principles of craftsmanship in an attractive and functional design. The elegant control lever integrates discreetly and the large glass door affords a fantastic view of the flames and creates a sense of cosiness and warmth



 6 kW  3 - 8 kW  78.3%

See notes on British and Irish building regulations in the Important Safety and Technical Information Section on page 38





H370

**FIRE SIZE:**



H370



# “ Lotus H470w ”



## WOODBURNING WITH A WIDESCREEN

The H470W is a wide format woodburning insert with proportions that really accentuate the fires stylish form and alluring flame picture. With ample heating capacity for larger living spaces and high efficiency technology to make the most of your fuel, this fire has the performance to match its aesthetic appeal.

🔥 7 kW   🔄 3 - 9 kW   📊 78.5%

See notes on British and Irish building regulations in the Important Safety and Technical Information Section on page 38





H470W

**FIRE SIZE:**



H470W





## MAXIMUM IMPACT

The H570 is a versatile fire that is available in an additional wide version to increase your interior options.

With the Lotus tunnel option, you are able to enjoy the elegant play of the flames from two rooms at once! This eye-catching fire can be operated and refuelled from either side for complete convenience.

Also see images on page 25 and on the rear cover.

H570: 🔥 6 kW 🔁 3 - 8 kW Ⓔ 78%

H570W: 🔥 7 kW 🔁 3 - 9 kW Ⓔ 78.5%

H570T: 🔥 6 kW 🔁 4 - 9 kW Ⓔ 80%

See notes on British and Irish building regulations in the Important Safety and Technical Information Section on page 38

# “ Lotus H570 ”



H570

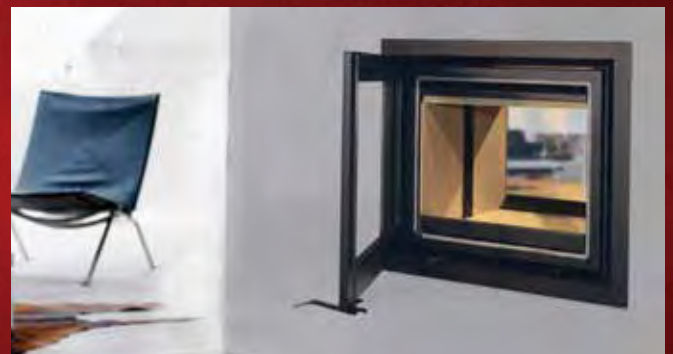
## FIRE SIZES:



H570



H570W



The H570 is also available as a Double Sided 'Tunnel' model. (H570T)



# “ Lotus H700 ”




## THE PORTRAIT OF PERFECTION

Retaining the quality styling and innovative firebox characteristics that define the Lotus insert range, the H700 stands out with its distinctive portrait form.

A truly unique fire offers contemporary appeal in abundance.

Also see image on page 24.

 5 kW

 3 - 7 kW

 82.9%

See notes on British and Irish building regulations in the Important Safety and Technical Information Section on page 38



H700

**FIRE SIZE:**

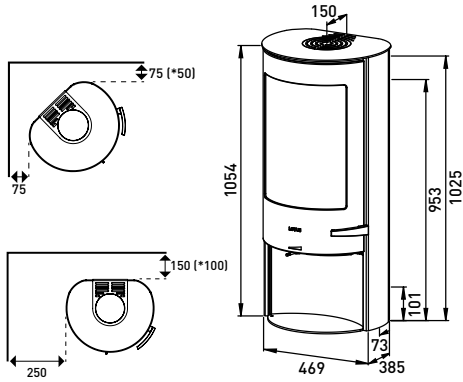


H700



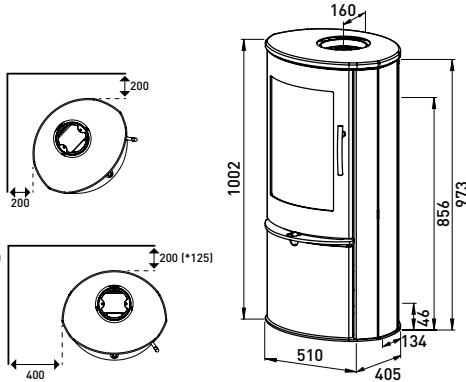
# “Technical Information”

## Sola



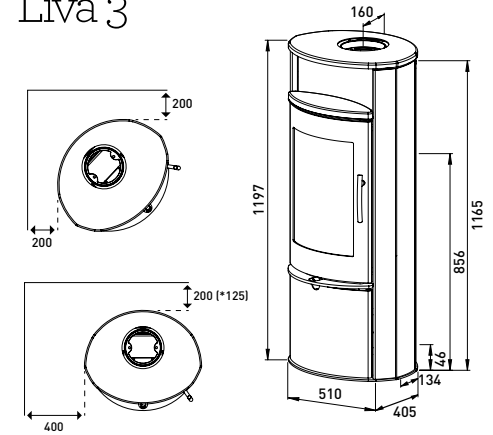
Weight: 127kg

## Liva 2



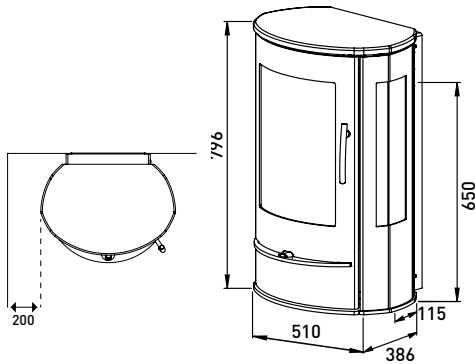
Weight: Liva 2:134kg / Liva 2G:135kg / Liva 2S: 165kg

## Liva 3



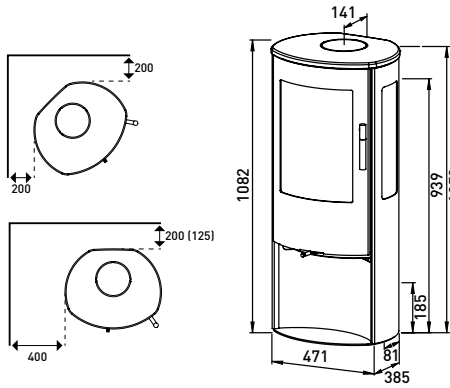
Weight: Liva 3:149kg / Liva 3G:150kg / Liva 3S: 192kg

## Liva 4



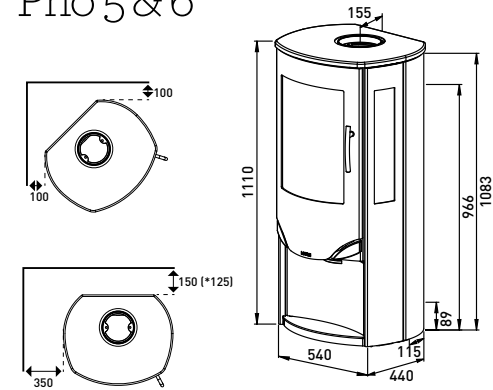
Weight: 110kg

## Mira 1 & 2



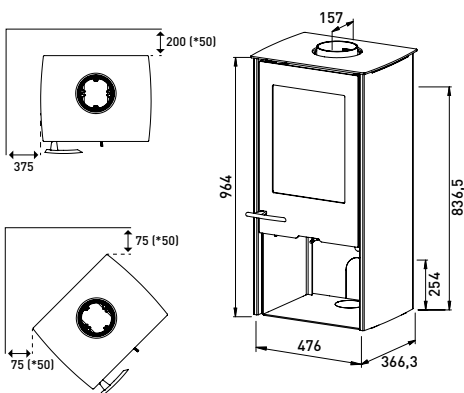
Weight: 113kg

## Prio 5 & 6



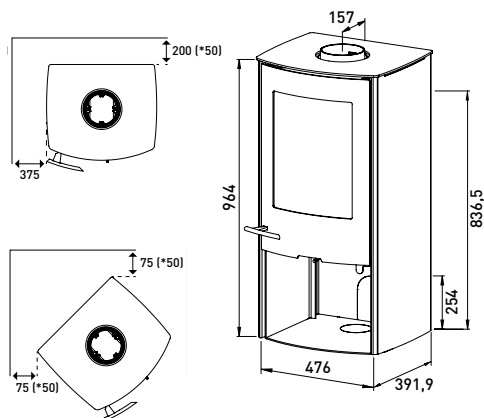
Weight: Prio 5 & 6:164kg / Prio 5S: 239kg / Prio 6S: 226kg

## Mondo 1



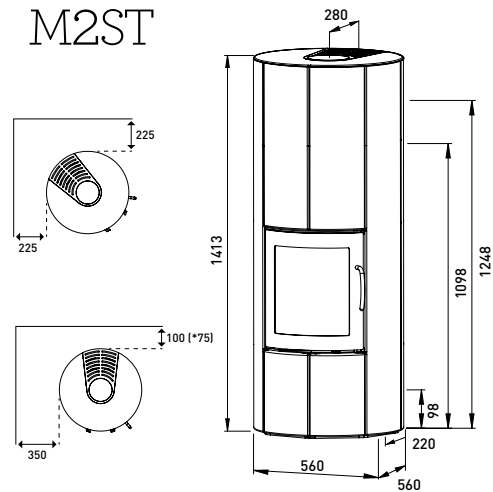
Weight: Mondo 1: 108kg / Mondo 1S: 159kg

## Mondo 2



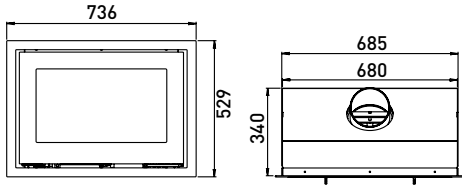
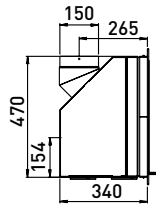
Weight: Mondo 2: 109kg / Mondo 2S: 159kg

## M2ST



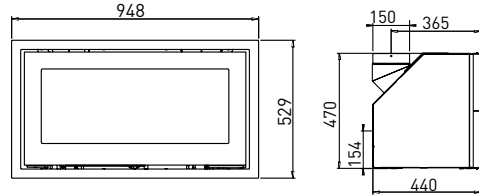
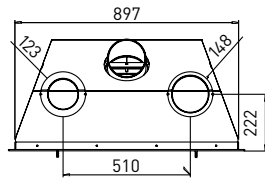
Weight: 485kg

### H370 Insert



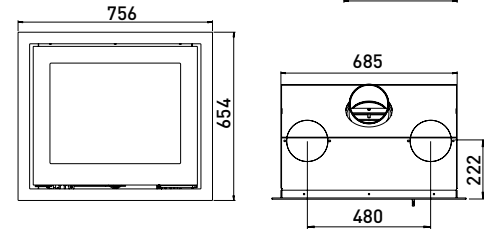
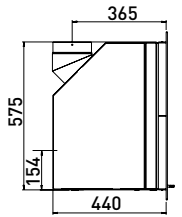
Weight: 87kg

### H470w Insert



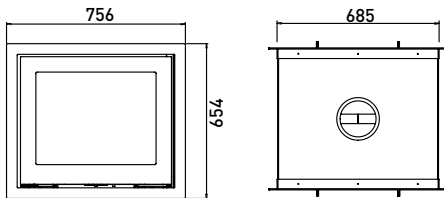
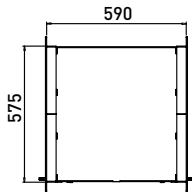
Weight: 120kg

### H570 Insert



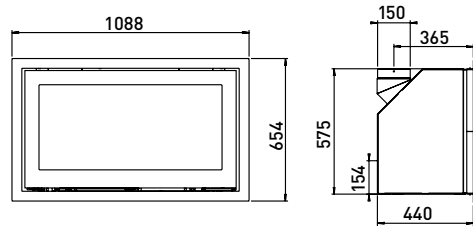
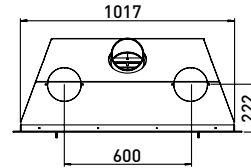
Weight: 111kg

### H570T Double Sided Insert



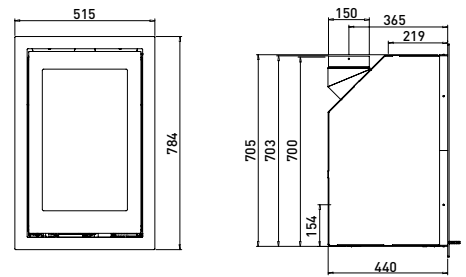
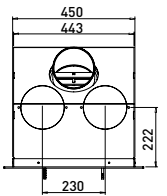
Weight: 155kg

### H570w Insert



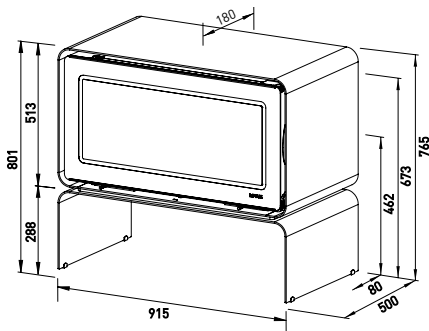
Weight: 154kg

### H700 Insert

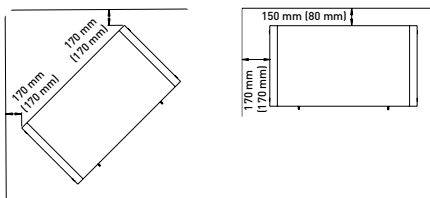


Weight: 96kg

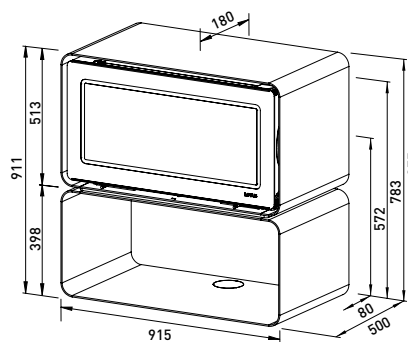
### Living Base



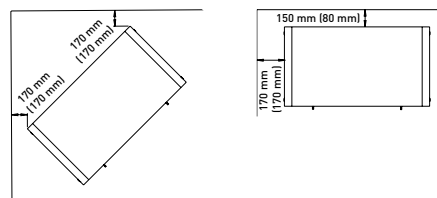
Weight: 190kg



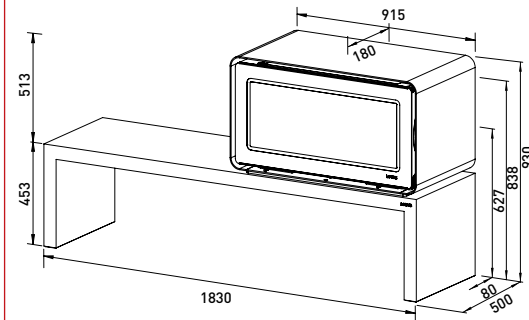
### Living Cube



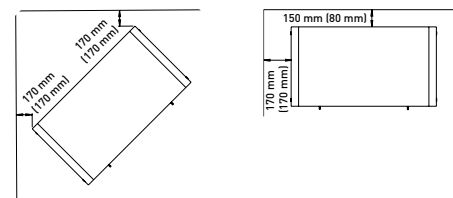
Weight: 211kg



### Living Bench



Weight: 271kg





# “Accessories and Chimney Systems”

## CARE OF YOUR STOVE OR FIRE

To help you get the best performance from your stove or fireplace and keep it in good condition, inside and out, Stovax (Lotus' distributor in the UK and Republic of Ireland) offers a wide range of cleaning and maintenance products. Stovax also supplies a wide variety of fireplace accessories. Your Lotus retailer will be able to give you full details or you can view the complete range at [www.stovax.com](http://www.stovax.com).



## CONTEMPORARY STEEL LOG HOLDERS

For more modern interiors, Stovax has developed a range of contemporary log holders in matt black steel. These are highly attractive and a superb pairing to Lotus' range of contemporary stoves and fires.



## STOVAX PROFESSIONAL XQ™ STOVE AND FIREPLACE CHIMNEY SYSTEMS

Lotus recommends the Stovax comprehensive range of stove and fireplace chimney systems, the Stovax Professional XQ™ collection.

Crafted from 304L grade stainless steel for a durable outer finish, the fully sealed components offer water tight protection for the insulation within.

With innovative decorative options, the ability to specify a colour for your system, and with a host of technical advancements such as its Twist-Lock system, the Stovax Professional XQ™ range provides an attractive, versatile and reliable solution for your flue system. Furthermore, the Stovax Professional XQ™ range carries a 10 Year Extended Warranty offering complete peace of mind.

For further information or to request a brochure, simply contact your local retailer or visit [www.stovax.com/chimneysystems](http://www.stovax.com/chimneysystems).







# “Important Information”

## PRODUCT IMPROVEMENT & WARRANTY

Lotus pursue a policy of constant product improvement. Products supplied may therefore differ in specification from those illustrated or described in this brochure, and you should always check the final specification with your Lotus retailer.



Your Lotus Expert Retailer will provide you with a Five Year Extended Warranty for your new woodburning stove or fire. Please note, this warranty excludes certain consumable parts and is dependant on your appliance being serviced by an appropriately qualified person 12 months after installation and annually thereafter. Stoves purchased outside of Lotus' Expert Retailer Network will carry a standard 1 Year Warranty.

Full details of this warranty is set out to view on our website at [www.lotusfires.com](http://www.lotusfires.com).

## IMPORTANT SAFETY & TECHNICAL INFORMATION

Please note that the installations shown within this brochure may not conform to British and Irish building regulations. Please consult with a qualified professional installer (HETAS registered in the United Kingdom) for expert advice including the requirement for a hearth in your home.

We recommend that a HETAS approved installer should undertake a site survey prior to purchase and it is a requirement that any Lotus stove or fire should be installed by an appropriately qualified HETAS approved installer.

All fires and stoves consume air as they burn. To comply with Building Regulations (Document J) you may need to install a fixed air vent to ensure adequate ventilation. A room vent is not normally required when the air permeability is greater than 5.0m<sup>3</sup>/hr/m<sup>2</sup>. Your Lotus retailer or HETAS installer will be able to advise on this. You can also download detailed installation instructions prior to purchase from [www.lotusfires.co.uk](http://www.lotusfires.co.uk). Furthermore, by law all installations also require a Carbon Monoxide Monitor be present.

Please note that all parts of these stoves, particularly the glass panel in the door, become extremely hot during operation and can result in serious injury and burns if touched. It is therefore recommended that a fireguard complying with BS 8423:2002 is used in the presence of young children, the elderly or infirm.









H570

United Kingdom & Republic of Ireland distributors for Lotus:

**Stovax Limited**  
Falcon Road, Sowton Industrial Estate,  
Exeter, Devon EX2 7LF

**UK Trade Sales tel:** 01392 474000  
**ROI Trade Sales tel:** 00 44 1392 261990  
**Fax:** 01392 219932  
**E-mail:** [lotus@stovax.com](mailto:lotus@stovax.com)  
**www.lotusfires.com**



To view & download our complete range of brochures, simply scan this code or visit [www.stovax.com](http://www.stovax.com)

Your local Lotus retailer:

£2.00

LOTUS0713

